



## Features

- Wirewound and Hybritron® elements
- High rotational life
- Optional 0.1 % linearity
- Optional A/R lug
- RoHS compliant\*
- Suitable for use under side load
- Designed for HMI and MMI applications
- Dual gang option
- Servo mount option

# 3549 - 10-Turn Precision Potentiometer

Electrical Characteristics <sup>1</sup>	Wirewound Element	Hybritron® Element
Standard Resistance Range.....	100 to 100K ohms.....	1K to 100K ohms
Total Resistance Tolerance.....	±3 % .....	±10 %
Independent Linearity.....	±0.2 % .....	±0.2 %
Independent Linearity (Maximum Practical).....	±0.1 % .....	±0.1 %
Effective Electrical Angle .....	3600 ° +10 °, -0 ° .....	3600 ° +10 °, -0 °
Absolute Minimum Resistance/End Voltage .....	1 ohm or 0.1 % maximum .....	0.2 % maximum
	(whichever is greater)	
Noise/Output Smoothness .....	100 ohms maximum .....	0.10 % maximum
Max. Wiper Current @ 5K ohms.....	20 mA .....	10 mA
Dielectric Withstanding Voltage (MIL-STD-202, Method 301)		
Sea Level .....	1,000 VAC minimum .....	1,000 VAC minimum
Insulation Resistance (500 VDC) .....	1,000 megohms minimum .....	1,000 megohms minimum
Resolution.....	See How to Order chart .....	Essentially infinite
Power Rating (Voltage Limited By Power Dissipation)		
+70 °C .....	2 watts.....	2 watts
+125 °C .....	0 watt .....	0 watt

Environmental Characteristics <sup>1</sup>	Wirewound Element	Hybritron® Element
Operating Temperature Range		
Dynamic .....	-40 °C to +125 °C .....	-40 °C to +125 °C
Static .....	-55 °C to +125 °C .....	-55 °C to +125 °C
Temperature Coefficient (Over Static Temperature Range) .....	±50 ppm/°C.....	±100 ppm/°C
Temperature Cycling (5 Cycles Over Static Temperature Range) .....	±2 % TR shift max. ....	±4 % TR shift max.
Vibration (15 Gs, 10 Hz to 2 kHz)		
Wiper Bounce.....	0.1 ms max. ....	0.1 ms max.
Shock (100 Gs, 6 ms sawtooth)		
Wiper Bounce.....	0.1 ms max. ....	0.1 ms max.
Load Life (1,000 hours @ 70 °C).....	±2 % TR shift .....	±5 % TR shift max.
Rotational Life		
No Load .....	2,000,000 shaft revolutions .....	5,000,000 shaft revolutions
Powered (MIL-PRF-12934).....	2,000,000 shaft revolutions .....	5,000,000 shaft revolutions
Moisture Resistance (Mil-Std-202, Method 103) .....	±2 % TR shift max. ....	±5 % TR shift max.
IP Rating .....	IP 50 .....	IP 50

Mechanical Characteristics <sup>1</sup>	Wirewound Element	Hybritron® Element
Mechanical Angle .....	3600 ° +4 °, -10 °	
Backlash .....	1.0 ° max.	
Stop Strength.....	53 N-cm (75 oz-in.) min.	
Torque		
Starting .....	0.5 N-cm (0.7 oz.-in.) max.	
Running .....	0.5 N-cm (0.7 oz.-in.) max.	
Mounting.....	170-200 N-cm (15-18 in.-lb.) max.	
Shaft Runout T.I.R. ....	0.08 mm (0.003 in.)	
Lateral Runout T.I.R. ....	0.13 mm (0.005 in.)	
Shaft End Play T.I.R. ....	0.15 mm (0.006 in.)	
Shaft Radial Play T.I.R. ....	0.08 mm (0.003 in.)	
Pilot Diameter Runout T.I.R. ....	0.08 mm (0.003 in.)	
Weight		
Single .....	20 gm (0.7 oz.) typ.	
Dual .....	36 gm (1.27 oz) typ.	
Shaft Side Load (Max. Allowable)		
Nickel Plated Brass Shaft w/Brass Bushing .....	50 gmf (1.7 ozf)	
Stainless Steel Shaft w/Bronze Bushing .....	250 gmf (8.8 ozf)	
Terminals .....	Gold-plated solder lugs	
Soldering Condition		
Manual Soldering .....	96.5Sn/3.0Ag/0.5Cu solid wire or no-clean rosin cored wire, 370 °C (700 °F) max. for 3 seconds	
Wave Soldering .....	96.5Sn/3.0Ag/0.5Cu solder with no-clean flux, 260 °C (500 °F) max. for 5 seconds	
Wash processes .....	Not recommended	
Mounting Hardware		
Recommended Panel Thickness (Bushing Mount) .....	2.46-3.81 mm (0.097-0.150 in.)	
Marking .....	Manufacturer's symbol, model number, product code and date code	
Standard Packaging.....	Plastic trays (5 pcs./tray)	

<sup>1</sup>At room ambient: +25 °C nominal and 50 % relative humidity nominal, except as noted.  
For other options, please consult factory.

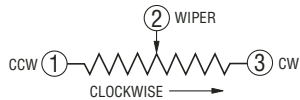
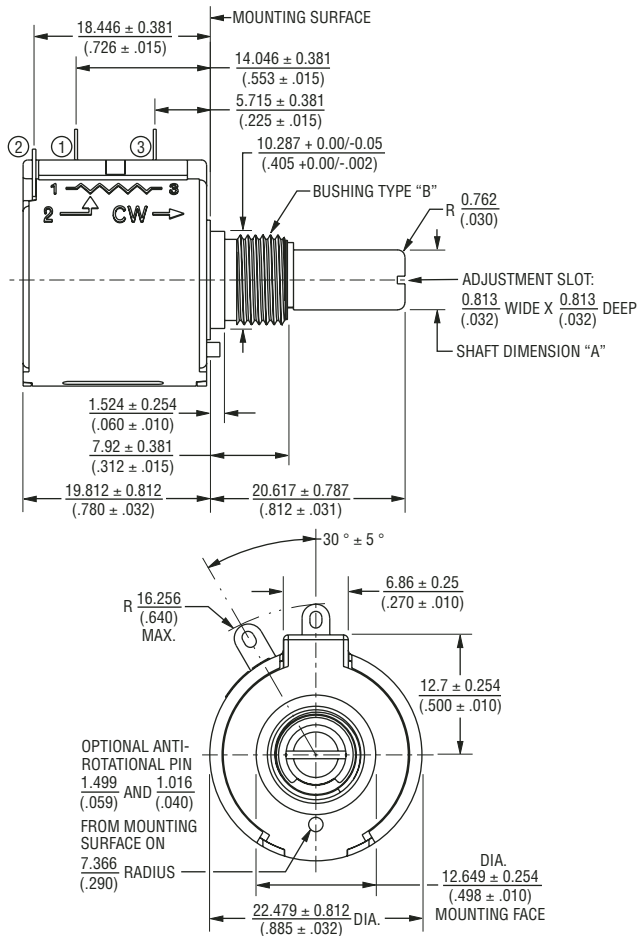
\*RoHS Directive 2002/95/EC Jan 27 2003 including Annex.  
Specifications are subject to change without notice.  
Customers should verify actual device performance in their specific applications.

# 3549 - 10-Turn Precision Potentiometer

**BOURNS®**

## Product Dimensions

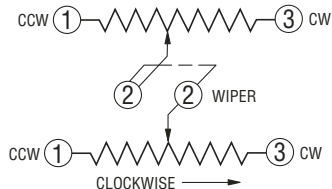
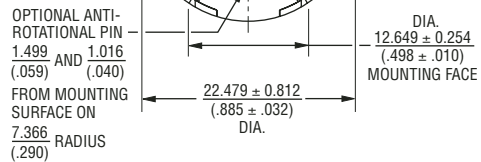
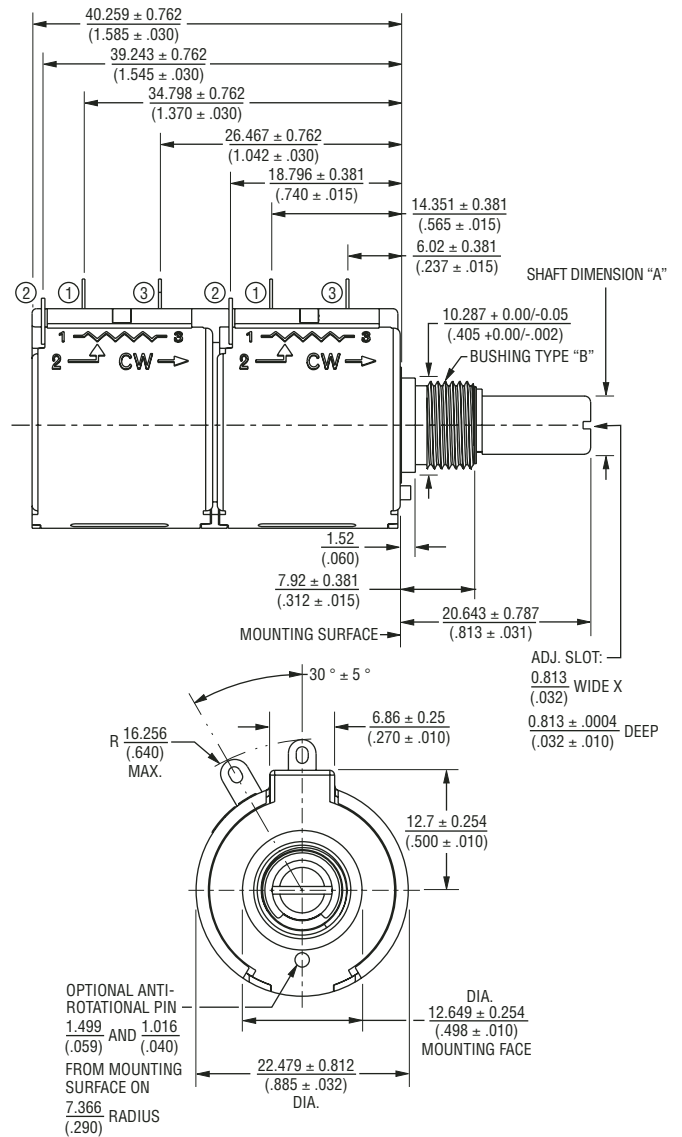
### Single Gang, Bushing Mount



TOLERANCES: EXCEPT WHERE NOTED  
 DECIMALS: .XX ± (.02) .XXX ± (.005) .XXXX ± (.0005)  
 DIMENSIONS:  $\frac{MM}{(IN)}$

Bushing Selection Code	Shaft Dimension "A"	Shaft Material	Bushing Type "B"	Bushing Material
A	$6.34 \pm 0/-0.022$ (0.249 +0/-0.0009)	Nickel Plated Brass	3/8" 32-UNEF- 2A THD.	Brass
B	$6.00 \pm 0/-0.022$ (0.236 +0/-0.0009)	Nickel Plated Brass	M9 X 0.75-8g	Brass
C	$6.34 \pm 0/-0.007$ (0.249 +0/-0.0003)	Stainless Steel	3/8" 32-UNEF- 2A THD.	Bronze
D	$6.00 \pm 0/-0.007$ (0.236 +0/-0.0003)	Stainless Steel	M9 X 0.75-8g	Bronze

### Dual Gang, Bushing Mount



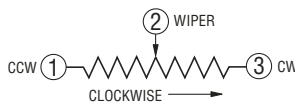
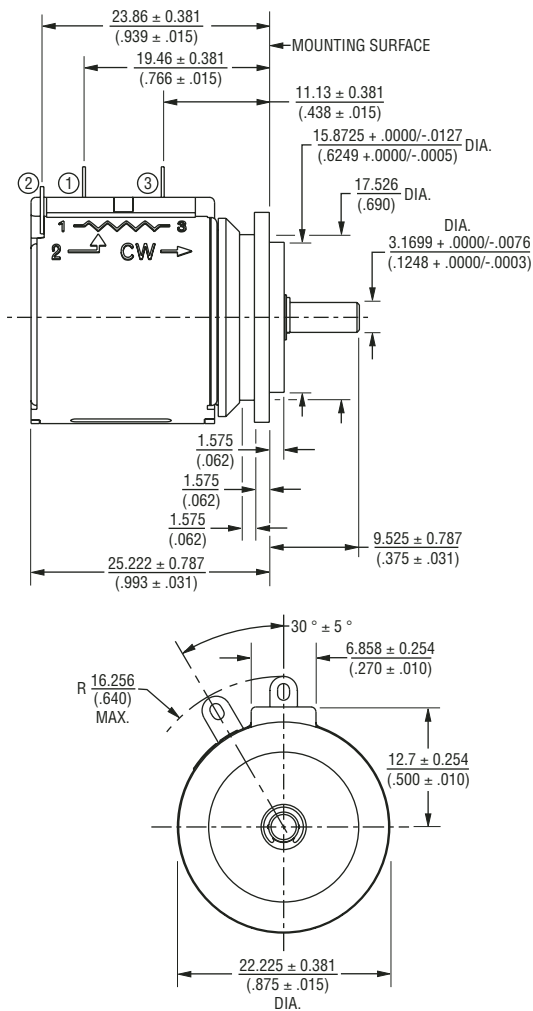
Specifications are subject to change without notice.  
 Customers should verify actual device performance in their specific applications.

# 3549 - 10-Turn Precision Potentiometer

**BOURNS®**

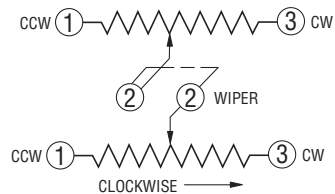
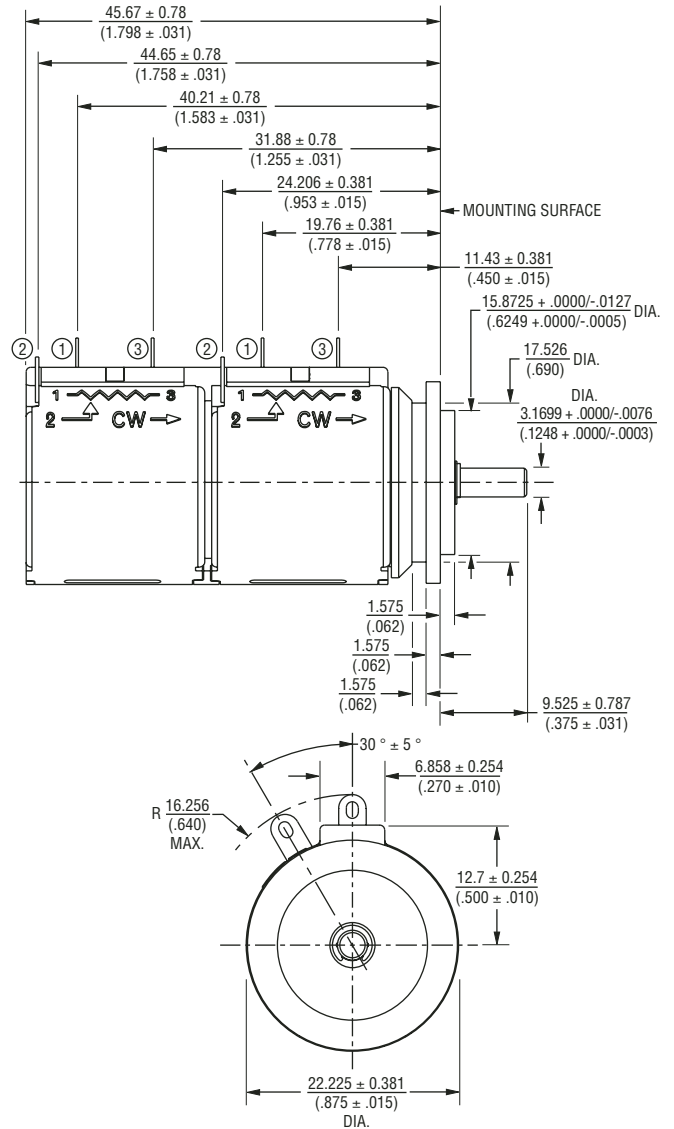
## Product Dimensions

### Single Gang, Servo Mount



TOLERANCES: EXCEPT WHERE NOTED  
 DECIMALS: .XX ± (.02) .XXX ± (.005) .XXXX ± (.0005)  
 DIMENSIONS:  $\frac{MM}{(IN)}$

### Dual Gang, Servo Mount



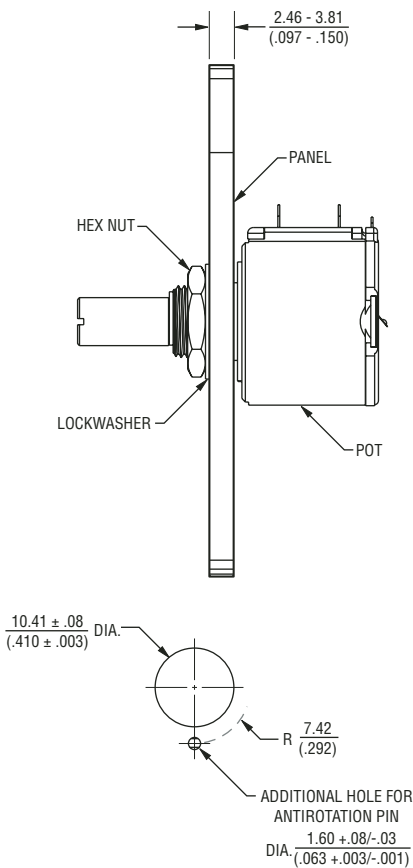
Specifications are subject to change without notice.  
 Customers should verify actual device performance in their specific applications.

# 3549 - 10-Turn Precision Potentiometer

**BOURNS®**

## Panel Thickness Dimensions

(For Bushing Mount Only)



DIMENSIONS:  $\frac{\text{MM}}{\text{(INCHES)}}$

TOLERANCES:  $\pm \frac{0.127}{(.005)}$

## How To Order

3 5 4 9 S - 2 A A - 1 0 3 / 1 0 3 A

### MODEL DESIGNATOR

Code	Description
3549	10-Turn

### ELEMENT TYPE

Code	Description
H	Hybritron®
S	Wirewound

### NO. OF SECTIONS

Code	Description
1	Single
2	Dual

### ANTI-ROTATION LUG

Code	Description
A	None
B	180°

### INDEPENDENT LINEARITY

Code	Description
A	0.20 %
B	0.10 %

### RESISTANCE\*

Code	Element Type	Resolution
102 (1K Ω)	Hybritron®	—
202 (2K Ω)	Hybritron®	—
502 (5K Ω)	Hybritron®	—
103 (10K Ω)	Hybritron®	—
203 (20K Ω)	Hybritron®	—
503 (50K Ω)	Hybritron®	—
104 (100K Ω)	Hybritron®	—
101 (100 Ω)	Wirewound	0.055
201 (200 Ω)	Wirewound	0.042
501 (500 Ω)	Wirewound	0.031
102 (1K Ω)	Wirewound	0.027
202 (2K Ω)	Wirewound	0.021
502 (5K Ω)	Wirewound	0.021
103 (10K Ω)	Wirewound	0.019
203 (20K Ω)	Wirewound	0.014
503 (50K Ω)	Wirewound	0.011
104 (100K Ω)	Wirewound	0.008

\* For Single gang, use only first three digits.  
For Dual gang, use six digits separated by a "/".

### BUSHING MOUNT

Code	Shaft FMS	Shaft Dia.	Shaft Material	Bushing Dia.	Bushing Material
A	13/16 "	1/4 "	Nickel Plated Brass	3/8 "	Brass
B	20.6 mm	6 mm	Nickel Plated Brass	9 mm	Brass
C	13/16 "	1/4 "	Stainless Steel	3/8 "	Bronze
D	20.6 mm	6 mm	Stainless Steel	9 mm	Bronze

### SERVO MOUNT

Code	Shaft FMS	Shaft Dia.	Shaft Material
E	3/8 "	1/8 "	Stainless Steel



Reliable Electronic Solutions

Asia-Pacific: TEL +886-2 25624117 • FAX +886-2 25624116

Europe: TEL +41-41 7685555 • FAX +41-41 7685510

The Americas: TEL +1-951 781-5500 • FAX +1-951 781-5700

[www.bourns.com](http://www.bourns.com)

05/07

COPYRIGHT©2005, BOURNS, INC. LITHO IN U.S.A. e 10/06 SC0518

"Hybritron" is a registered trademark of Hybritron, Inc.

Specifications are subject to change without notice.

Customers should verify actual device performance in their specific applications.