

AN1315

An Evaluation System Interfacing the MPX2000 Series Pressure Sensors to a Microprocessor

Prepared by: Bill Lucas
Discrete Applications Engineering

INTRODUCTION

Outputs from compensated and calibrated semiconductor pressure sensors such as the MPX2000 series devices are easily amplified and interfaced to a microprocessor. Design considerations and the description of an evaluation board using a simple analog interface connected to a microprocessor is presented here.

PURPOSE

The evaluation system shown in Figure 1 shows the ease of operating and interfacing the MOTOROLA MPX2000 series pressure sensors to a quad operational amplifier, which amplifies the sensor's output to an acceptable level for an analog-to-digital converter. The output of the op amp is connected to the A/D converter of the microprocessor and that analog value is then converted to engineering units and displayed on a liquid crystal display (LCD). This system may

be used to evaluate any of the MPX2000 series pressure sensors for your specific application.

DESCRIPTION

The DEVB158 evaluation system is constructed on a small printed circuit board. Designed to be powered from a 12 Vdc power supply, the system will display the pressure applied to the MPX2000 series sensor in pounds per square inch (PSI) on the liquid crystal display. Table 1 shows the pressure sensors that may be used with the system and the pressure range associated with that particular sensor as well as the jumper configuration required to support that sensor. These jumpers are installed at assembly time to correspond with the supplied sensor. Should the user choose to evaluate a different sensor other than that supplied with the board, the jumpers must be changed to correspond to Table 1 for the new sensor. The displayed pressure is scaled to the full scale (PSI) range of the installed pressure sensor. No potentiometers are used in the system to adjust its span and offset. This function is performed by software.

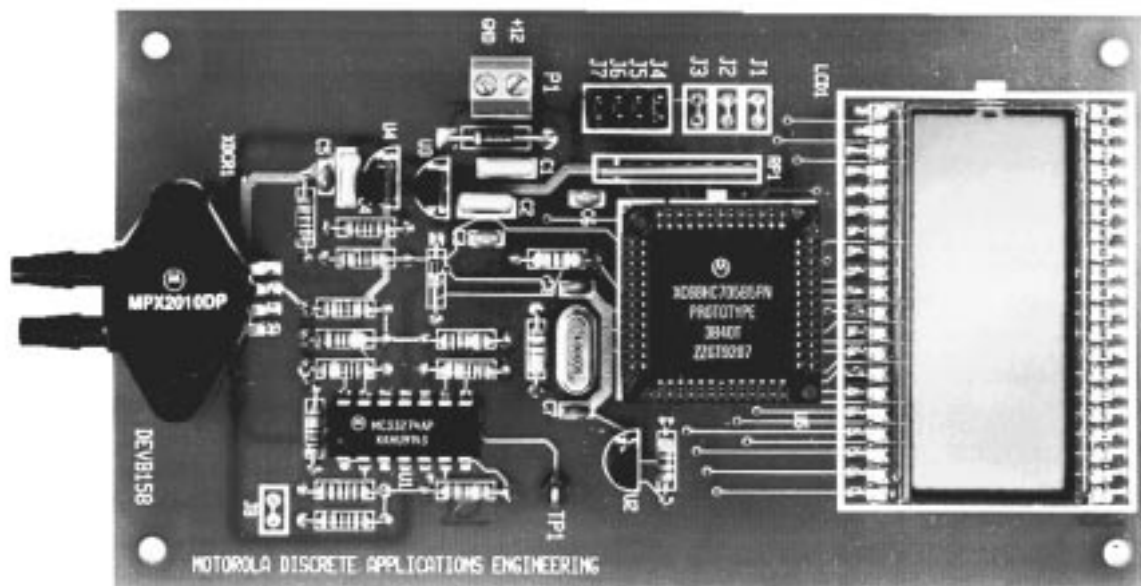


Figure 1. DEVB158 2000 Series LCD Pressure Gauge EVB

Table 1.

Sensor Type	Input Pressure PSI	Jumpers			
		J8	J3	J2	J1
MPX2010	0–1.5	IN	IN	IN	IN
MPX2050	0–7.5	OUT	IN	IN	OUT
MPX2100	0–15.0	OUT	IN	OUT	IN
MPX2200	0–30	OUT	IN	OUT	OUT
MPX2700	0–100	OUT	OUT	IN	IN

The signal conditioned sensor's zero pressure offset voltage with no pressure applied to the sensor is empirically computed each time power is applied to the system and stored in RAM. The sensitivity of the MPX2000 series pressure sensors is quite repeatable from unit to unit. There is a facility for a small adjustment of the slope constant built into the program. It is accomplished via jumpers J4 thru J7, and will be explained in the OPERATION section.

Figure 2 shows the printed circuit silkscreen and Figures 3A and 3B show the schematic for the system.

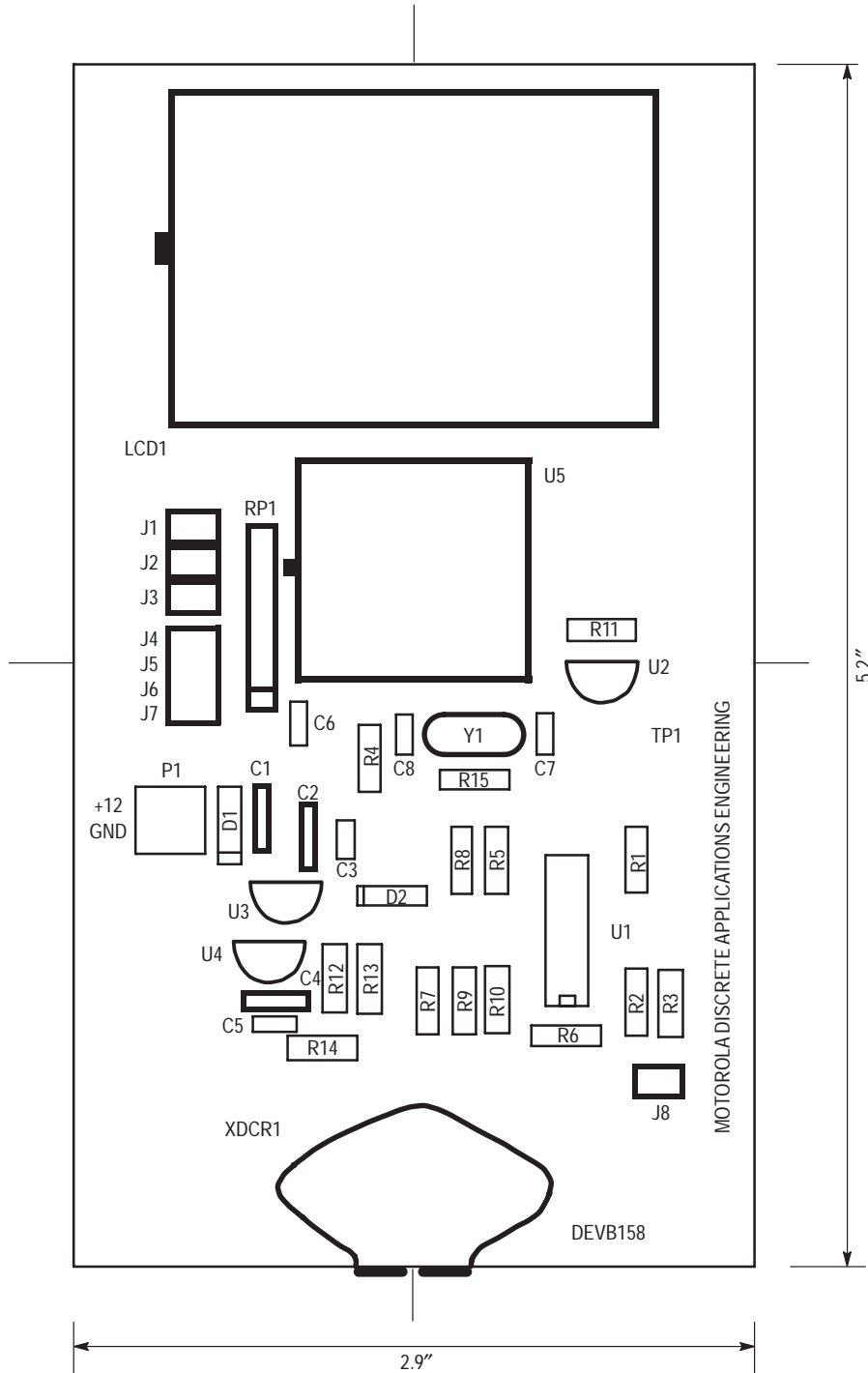


Figure 2. Printed Circuit Silkscreen

The analog section of the system can be broken down into two subsections. These sections are the power supply and the amplification section. The power supply section consists of a diode, used to protect the system from input voltage reversal, and two fixed voltage regulators. The 5 volt regulator (U3) is used to power the microprocessor and display. The 8 volt regulator (U4) is used to power the pressure sensor, voltage references and a voltage offset source.

The microprocessor section (U5) requires minimal support hardware to function. The MC34064P-5 (U2) provides an under voltage sense function and is used to reset the microprocessor at system power-up. The 4.0 MHz crystal (Y1) provides the external portion of the oscillator function for clocking the microprocessor and providing a stable base for timing functions.

Table 2. Parts List

Designators	Quant.	Description	Rating	Manufacturer	Part Number
C3, C4, C6	3	0.1 μ F Ceramic Cap.	50 Vdc	Sprague	1C105Z5U104M050B
C1, C2, C5	3	1 μ F Ceramic Cap.	50 Vdc	muRATA ERIE	RPE123Z5U105M050V
C7, C8	2	22 pF Ceramic Cap.	100 Vdc	Mepco/Centralab	CN15A220K
J1-J3, J8	3 OR 4	#22 or #24 AWG Tined Copper		As Required	
J4-J7	1	Dual Row Straight 4 Pos. Arranged On 0.1" Grid		AMP	87227-2
LCD1	1	Liquid Crystal Display		IEE	LCD5657
P1	1	Power Connector		Phoenix Contact	MKDS 1/2-3.81
R1	1	6.98K Ohm resistor 1%			
R2	1	121 Ohm Resistor 1%			
R3	1	200 Ohm Resistor 1%			
R4, R11	2	4.7K Ohm Resistor			
R7	1	340 Ohm Resistor 1%			
R5, R6	2	2.0K Ohm Resistor 1%			
R8	1	23.7 Ohm Resistor 1%			
R9	1	976 Ohm Resistor 1%			
R10	1	1K Ohm Resistor 1%			
R12	1	3.32K Ohm Resistor 1%			
R13	1	4.53K Ohm Resistor 1%			
R14	1	402 Ohm Resistor 1%			
R15	1	10 Meg Ohm Resistor			
RP1	1	47K Ohm x 7 SIP Resistor 2%		CTS	770 Series
TP1	1	Test Point	Red	Components Corp.	TP-104-01-02
U1	1	Quad Operational Amplifier		Motorola	MC33274P
U2	1	Under Voltage Detector		Motorola	MC34064P-5
U3	1	5 Volt Fixed Voltage Regulator		Motorola	MC78L05ACP
U4	1	8 Volt Fixed Voltage Regulator		Motorola	MC78L08ACP
U5	1	Microprocessor		Motorola Motorola	MC68HC705B5FN or XC68HC705B5FN
XDCR	1	Pressure Sensor		Motorola	MPX2xxxDP
Y1	1	Crystal (Low Profile)	4.0 MHz	CTS	ATS040SLV
No Designator	1	52 Pin PLCC Socket for U5		AMP	821-575-1
No Designator	4	Jumpers For J4 thru J7		Molex	15-29-1025
No Designator	1	Bare Printed Circuit Board			
No Designator	4	Self Sticking Feet		Fastex	5033-01-00-5001

Note: All resistors are 1/4 W resistors with a tolerance of 5% unless otherwise noted.

All capacitors are 100 volt, ceramic capacitors with a tolerance of 10% unless otherwise noted.

AN1315

OPERATIONAL CHARACTERISTICS

The following operational characteristics are included as a guide to operation.

Characteristic	Symbol	Min	Max	Unit
Power Supply Voltage	+12	10.75	16	Volts
Operating Current	I _{CC}		75	mA
Full Scale Pressure	P _{fs}			
MPX2010			1.5	PSI
MPX2050			7.5	PSI
MPX2100			15	PSI
MPX2200			30	PSI
MPX2700			100	PSI

PIN-BY-PIN DESCRIPTION

+12:

Input power is supplied at the +12 terminal. The minimum operating voltage is 10.75 Vdc and the maximum operating voltage is 16 Vdc.

GND:

The ground terminal is the power supply return for the system.

TP1:

Test point 1 is connected to the final op amp stage. It is the voltage that is applied to the microprocessor's A/D converter.

There are two ports on the pressure sensor located at the bottom center of the printed circuit board. The pressure port is on the top left and the vacuum port is on the bottom right of the sensor.

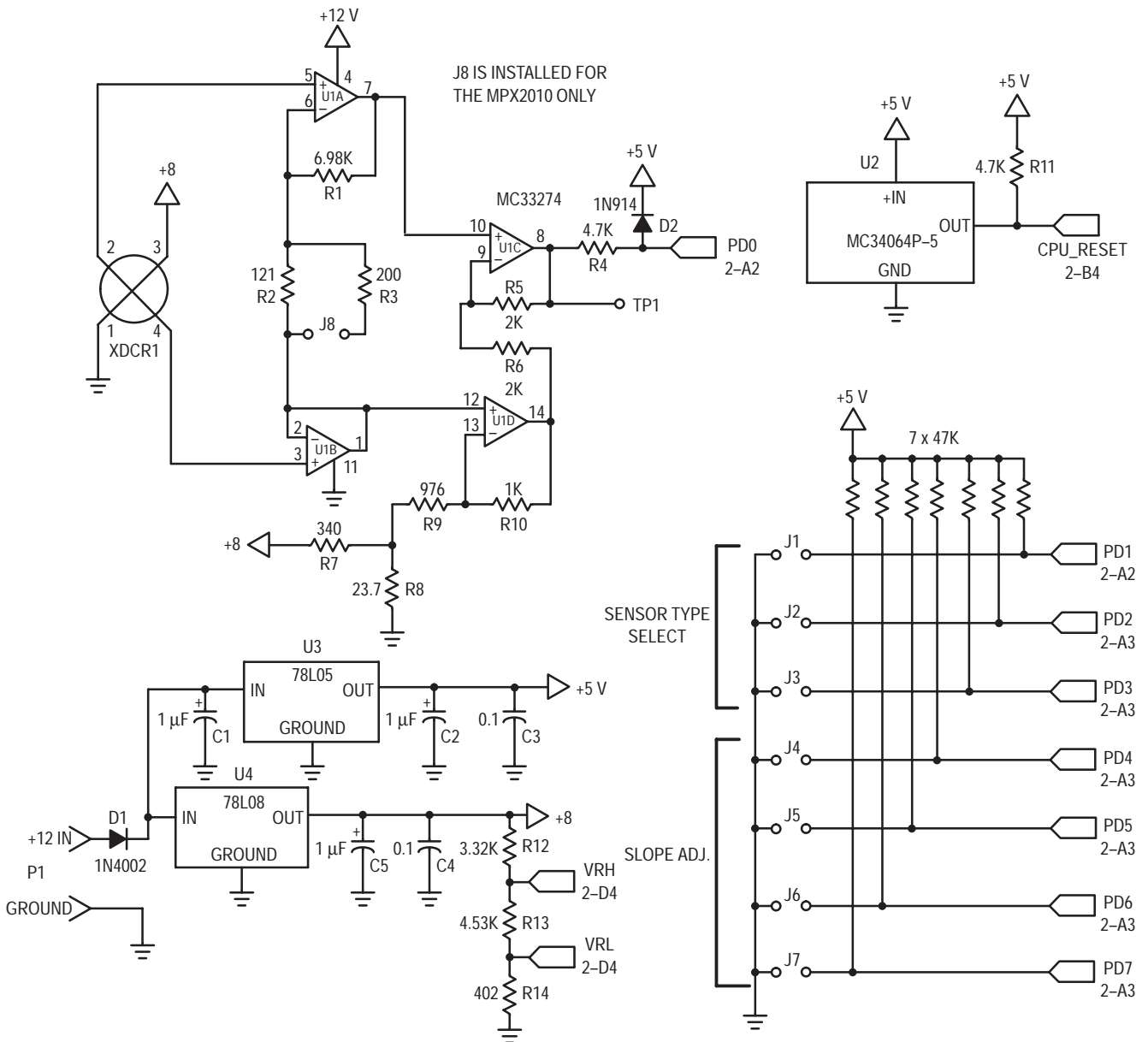


Figure 3a. Schematic

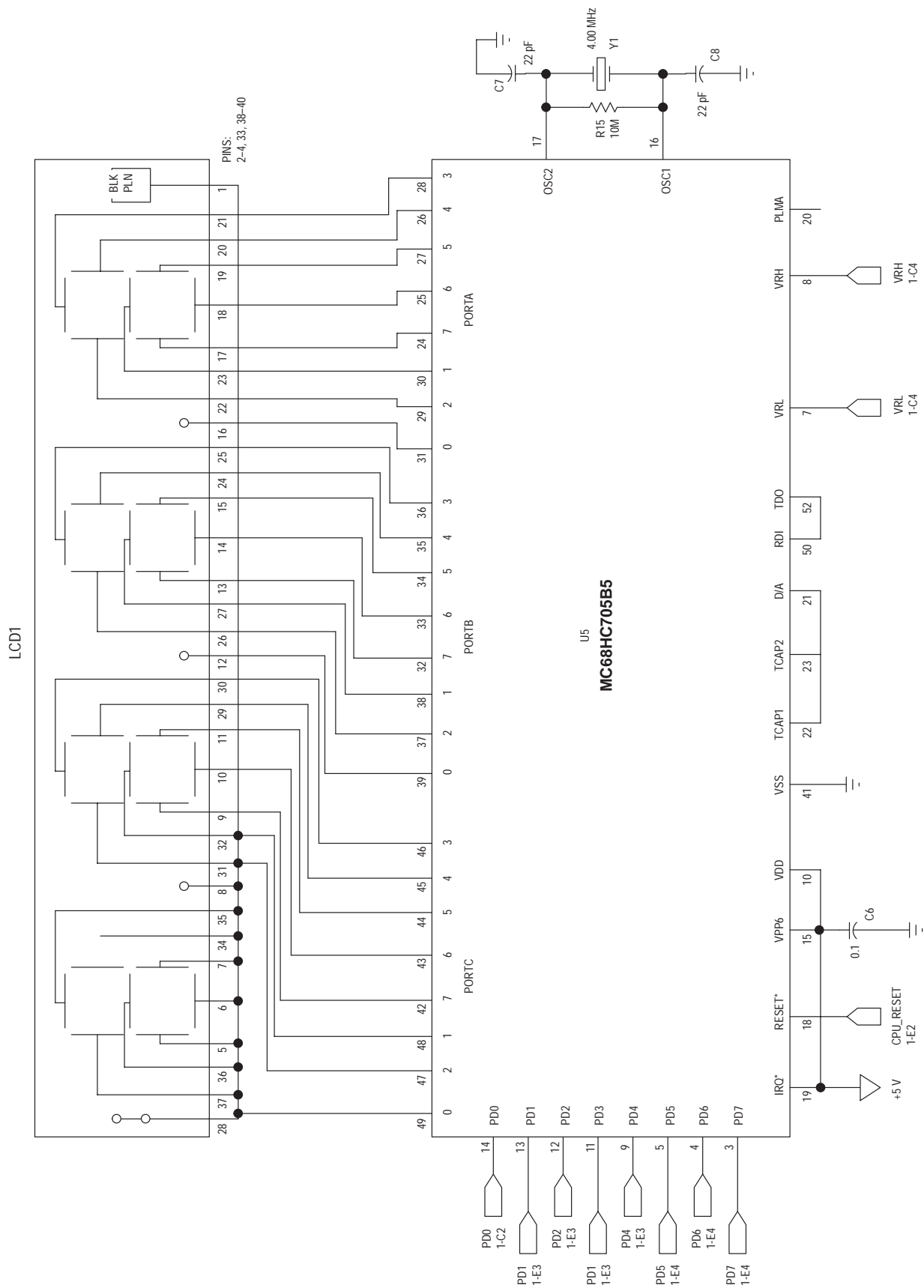


Figure 3b. Schematic

OPERATION

Connect the system to a 12 Vdc regulated power supply. (Note the polarity marked on the power terminal P1.) Depending on the particular pressure sensor being used with the system, wire jumpers J1 through J3 and J8 must be installed at board assembly time. If at some later time it is desirable to change the type of sensor that is installed on the board, jumpers J1 through J3 and J8, must be reconfigured for the system to function properly (see Table 1). If an invalid J1 through J3 jumper combination (i.e., not listed in Table 1) is used the LCD will display "SE" to indicate that condition. These jumpers are read by the software and are used to determine which sensor is installed on the board. Wire jumper J8 is installed only when an MPX2010DP pressure sensor is used on the system. The purpose of wire jumper J8 will be explained later in the text. Jumpers J4 through J7 are read by the software to allow the user to adjust the slope constant used for the engineering units calculation (see Table 3). The pressure and vacuum ports on the sensor must be left open to atmosphere anytime the board is powered-up. This is because the zero pressure offset voltage is computed at power-up.

When you apply power to the system, the LCD will display CAL for approximately 5 seconds. After that time, pressure or vacuum may be applied to the sensor. The system will then start displaying the applied pressure in PSI.

Table 3.

J7	J6	J5	J4	Action
IN	IN	IN	IN	Normal Slope
IN	IN	IN	OUT	Decrease the Slope Approximately 7%
IN	IN	OUT	IN	Decrease the Slope Approximately 6%
IN	IN	OUT	OUT	Decrease the Slope Approximately 5%
IN	OUT	IN	IN	Decrease the Slope Approximately 4%
IN	OUT	IN	OUT	Decrease the Slope Approximately 3%
IN	OUT	OUT	IN	Decrease the Slope Approximately 2%
IN	OUT	OUT	OUT	Decrease the Slope Approximately 1%
OUT	IN	IN	IN	Increase the Slope Approximately 1%
OUT	IN	IN	OUT	Increase the Slope Approximately 2%
OUT	IN	OUT	IN	Increase the Slope Approximately 3%
OUT	IN	OUT	OUT	Increase the Slope Approximately 4%
OUT	OUT	IN	IN	Increase the Slope Approximately 5%
OUT	OUT	IN	OUT	Increase the Slope Approximately 6%
OUT	OUT	OUT	IN	Increase the Slope Approximately 7%
OUT	OUT	OUT	OUT	Normal Slope

To improve the accuracy of the system, you can change the constant used by the program that determines the span of the sensor and amplifier. You will need an accurate test gauge (using PSI as the reference) to measure the pressure applied to the sensor. Anytime after the display has completed the zero calculation, (after CAL is no longer displayed) apply the sensor's full scale pressure (see Table 1), to the sensor. Make sure that jumpers J4 through J7 are in the "normal" configuration (see Table 3). Referring to Table 3, you can better "calibrate" the system by changing the configuration of J4 through J7. To "calibrate" the system, compare the display reading against that of the test gauge (with J4 through J7 in the

"normal slope" configuration). Change the configuration of J4 through J7 according to Table 3 to obtain the best results. The calibration jumpers may be changed while the system is powered up as they are read by the software before each display update.

DESIGN CONSIDERATIONS

To build a system that will show how to interface an MPX2000 series pressure sensor to a microprocessor, there are two main challenges. The first is to take a small differential signal produced by the sensor and produce a ground referenced signal of sufficient amplitude to drive a microprocessor's A/D input. The second challenge is to understand the microprocessor's operation and to write software that makes the system function.

From a hardware point of view, the microprocessor portion of the system is straight forward. The microprocessor needs power, a clock source (crystal Y1, two capacitors and a resistor), and a reset signal to make it function. As for the A/D converter, external references are required to make it function. In this case, the power source for the sensor is divided to produce the voltage references for the A/D converter. Accurate results will be achieved since the output from the sensor and the A/D references are ratiometric to its power supply voltage.

The liquid crystal display is driven by Ports A, B and C of the microprocessor. There are enough I/O lines on these ports to provide drive for three full digits, the backplane and two decimal points. Software routines provide the AC waveform necessary to drive the display.

The analog portion of the system consists of the pressure sensor, a quad operational amplifier and the voltage references for the microprocessor's A/D converter and signal conditioning circuitry. Figure 4 shows an interface circuit that will provide a single ended signal with sufficient amplitude to drive the microprocessor's A/D input. It uses a quad operational amplifier and several resistors to amplify and level shift the sensor's output. It is necessary to level shift the output from the final amplifier into the A/D. Using single power supplied op amps, the V_{CE} saturation of the output from an op amp cannot be guaranteed to pull down to zero volts. The analog design shown here will provide a signal to the A/D converter with a span of approximately 4 volts when zero to full-scale pressure is applied to the sensor. The final amplifier's output is level shifted to approximately 0.7 volts. This will provide a signal that will swing between approximately 0.7 volts and 4.7 volts. The offset of 0.7 volts in this implementation does not have to be trimmed to an exact point. The software will sample the voltage applied to the A/D converter at initial power up time and call that value "zero". The important thing to remember is that the span of the signal will be approximately 4 volts when zero to full scale pressure is applied to the sensor. The 4 volt swing in signal may vary slightly from sensor to sensor and can also vary due to resistor tolerances in the analog circuitry. Jumpers J4 through J7 may be placed in various configurations to compensate for these variations (see Table 3).

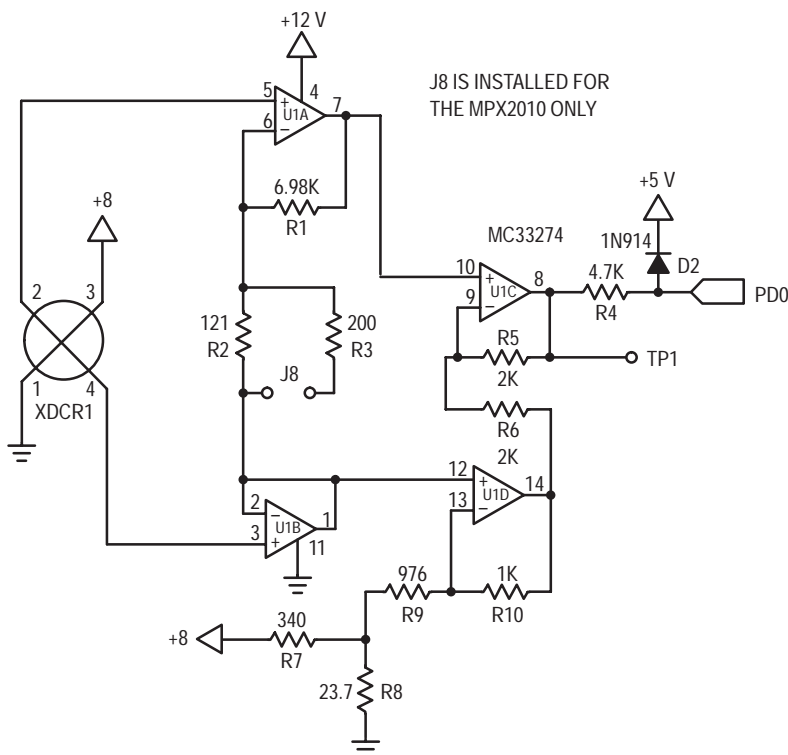


Figure 4. Analog Interface

Referring to Figure 4, most of the amplification of the voltage from the pressure sensor is provided by U1A which is configured as a differential amplifier. U1B serves as a unity gain buffer in order to keep any current that flows through R2 (and R3) from being fed back into the sensor's negative output. With zero pressure applied to the sensor, the differential voltage from pin 2 to pin 4 of the sensor is zero or very close to zero volts. The common mode, or the voltage measured between pins 2 or 4 to ground, is equal to approximately one half of the voltage applied to the sensor, or 4 volts. The zero pressure output voltage at pin 7 of U1A will then be 4 volts because pin 1 of U1B is also at 4 volts, creating a zero bias between pins 5 and 6 of U1A. The four volt zero pressure output will then be level shifted to the desired zero pressure offset voltage (approximately 0.7 volts) by U1C and U1D.

To further explain the operation of the level shifting circuitry, refer again to Figure 4. Assuming zero pressure is applied to the sensor and the common mode voltage from the sensor is 4 volts, the voltage applied to pin 12 of U1D will be 4 volts, implying pin 13 will be at 4 volts. The gain of amplifier U1D will be $(R_{10}/(R_8+R_9)) + 1$ or a gain of 2. R7 will inject a V_{offset} (0.7 volts) into amplifier U1D, thus causing the output at U1D pin 14 to be $7.3 = (4 \text{ volts @ U1D pin 12} \times 2) - 0.7 \text{ volts}$. The gain of U1C is also set at 2 $((R_5/R_6)+1)$. With 4 volts applied to pin 10 of U1C, its output at U1C pin 8 will be $0.7 = ((4 \text{ volts @ U1C pin 10} \times 2) - 7.3 \text{ volts})$. For this scheme to work properly, amplifiers U1C and U1D must have a gain of 2 and the output of U1D must be shifted down by the V_{offset} provided by R7. In this system, the 0.7 volts V_{offset} was arbitrarily picked and could have been any voltage greater than the V_{sat} of the op amp being used. The system software will take in account any

variations of V_{offset} as it assumes no pressure is applied to the sensor at system power up.

The gain of the analog circuit is approximately 117. With the values shown in Figure 4, the gain of 117 will provide a span of approximately 4 volts on U1C pin 8 when the pressure sensor and the 8 volt fixed voltage regulator are at their maximum output voltage tolerance. All of the sensors listed in Table 1 with the exception of the MPX2010DP output approximately 33 mV when full scale pressure is applied. When the MPX2010DP sensor is used, its full scale sensor differential output is approximately 20 mV. J8 must be installed to increase the gain of the analog circuit to still provide the 4 volts span out of U1C pin 8 with a 20 mV differential from the sensor.

Diode D2 is used to protect the microprocessor's A/D input if the output from U1C exceeds 5.6 volts. R4 is used to provide current limiting into D4 under failure or overvoltage conditions.

SOFTWARE

The source code, compiled listing, and S-record output for the software used in this system are available on the Motorola Freeware Bulletin Board Service in the MCU directory under the filename DEVB158.ARC. To access the bulletin board, you must have a telephone line, a 300, 1200 or 2400 baud modem and a personal computer. The modem must be compatible with the Bell 212A standard. Call (512) 891-3733 to access the Bulletin Board Service.

Figure 5 is a flowchart for the program that controls the system. The software for the system consists of a number of modules. Their functions provide the capability for system calibration as well as displaying the pressure input to the MPX2000 series pressure sensor.

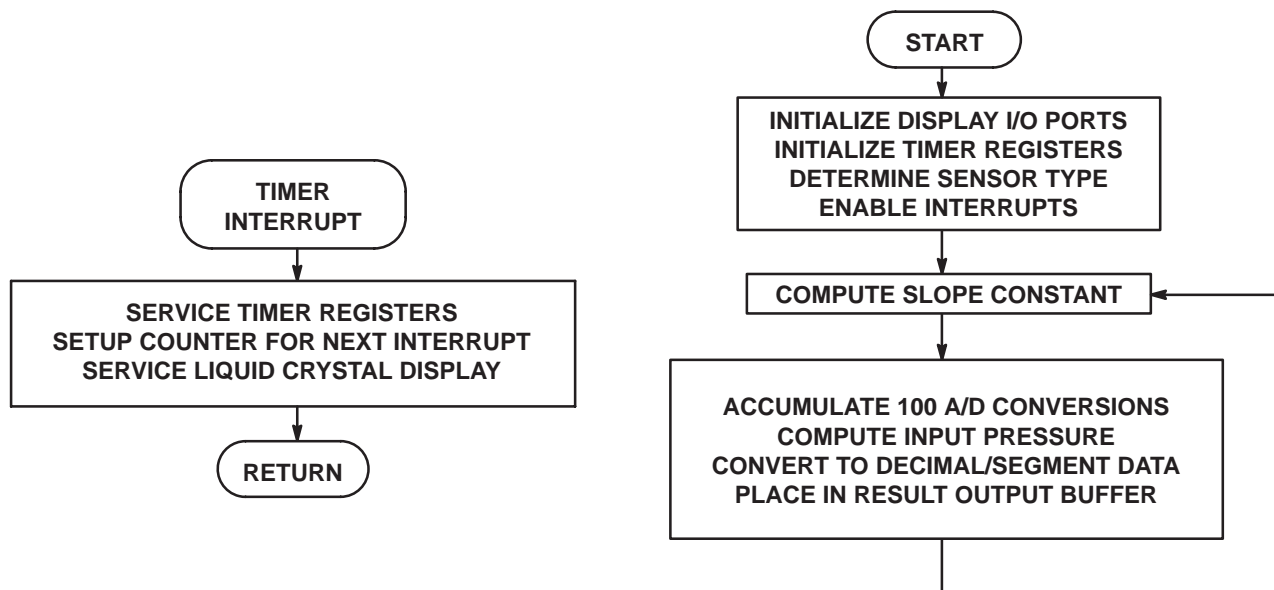


Figure 5. DEVB-158 Software Flowchart

The “C” compiler used in this project was provided by BYTE CRAFT LTD. (519) 888-6911. A compiler listing of the program is included at the end of this document. The following is a brief explanation of the routines:

delay() Used to provide a software loop delay.

read_a2d() Performs 100 reads on the A/D converter on multiplexer channel 0 and returns the accumulation.

fixcompare() Services the internal timer for 15 ms. timer compare interrupts.

TIMERCMP() Alternates the data and backplane inputs to the liquid crystal display.

initio() Sets up the microprocessor’s I/O ports, timer and enables processor interrupts.

adzero() This routine is called at powerup time. It delays to let the power supply and the transducer stabilize. It then calls “read_atod()” and saves the returned value as the sensors output voltage with zero pressure applied.

cvt_bin_dec(unsigned long arg) This routine converts the unsigned binary argument passed in “arg” to a five

digit decimal number in an array called “digit.” It then uses the decimal results for each digit as an index into a table that converts the decimal number into a segment pattern for the display. This is then output to the display.

display_psi() This routine is called from “main()” never to return. The A/D converter routine is called, the pressure is calculated based on the type sensor detected and the pressure applied to the sensor is displayed. The loop then repeats.

sensor_type() This routine determines the type of sensor from reading J1 to J3, setting the full scale pressure for that particular sensor in a variable for use by display_psi().

sensor_slope() This routine determines the slope constant to be used by display_psi() for engineering units output.

main() This is the main routine called from reset. It calls “initio()” to setup the system’s I/O. “display_psi()” is called to compute and display the pressure applied to the sensor.


```
#pragma option f0;
/*
```

THE FOLLOWING 'C' SOURCE CODE IS WRITTEN FOR THE DEVB158 EVALUATION BOARD. IT WAS COMPILED WITH A COMPILER COURTESY OF:

BYTE CRAFT LTD.
421 KING ST.
WATERLOO, ONTARIO
CANADA N2J 4E4
(519)888-6911

SOME SOURCE CODE CHANGES MAY BE NECESSARY FOR COMPILATION WITH OTHER COMPILERS.

BILL LUCAS 2/5/92
MOTOROLA, SPS

Revision history

rev. 1.0 initial release 3/19/92
rev. 1.1 added additional decimal digit to the MPX2010 sensor. Originally resolved the output to .1 PSI. Modified cvt_bin_dec to output PSI resolved to .01 PSI. WLL 9/25/92

```
*/
0800 1700 #pragma memory ROMPROG [5888] @ 0x0800 ;
0050 0096 #pragma memory RAMPAGE0 [150] @ 0x0050 ;

/*      Vector assignments      */
1FFE #pragma vector __RESET @ 0x1ffe ;
1FFC #pragma vector __SWI @ 0x1ffc ;
1FFA #pragma vector IRQ @ 0x1ffa ;
1FF8 #pragma vector TIMERCAP @ 0x1ff8 ;
1FF6 #pragma vector TIMERCMP @ 0x1ff6 ;
1FF4 #pragma vector TIMEROV @ 0x1ff4 ;
1FF2 #pragma vector SCI @ 0x1ff2 ;

#pragma has STOP ;
#pragma has WAIT ;
#pragma has MUL ;

/*      Register assignments for the 68HC705B5 microcontroller      */
0000 #pragma portrw porta @ 0x00; /* */
0001 #pragma portrw portb @ 0x01; /* */
0002 #pragma portrw portc @ 0x02; /* */
0003 #pragma portrw portd @ 0x03; /* in , - , SS , SCK , MOSI , MISO , TxD , RxD */
0004 #pragma portrw ddra @ 0x04; /* Data direction, Port A */
0005 #pragma portrw ddrb @ 0x05; /* Data direction, Port B */
0006 #pragma portrw ddrc @ 0x06; /* Data direction, Port C (all output) */
0007 #pragma portrw eeclk @ 0x07; /* eeprom/eclk cntl */
0008 #pragma portrw addata @ 0x08; /* a/d data register */
0009 #pragma portrw adata @ 0x09; /* a/d stat/control */
000A #pragma portrw plma @ 0x0a; /* pulse length modulation a */
000B #pragma portrw plmb @ 0x0b; /* pulse length modulation b */
000C #pragma portrw misc @ 0x0c; /* miscellaneous register */
000D #pragma portrw scibaud @ 0x0d; /* sci baud rate register */
000E #pragma portrw scicnt1 @ 0x0e; /* sci control 1 */
000F #pragma portrw scicnt2 @ 0x0f; /* sci control 2 */
0010 #pragma portrw scistat @ 0x10; /* sci status reg */
0011 #pragma portrw scidata @ 0x11; /* SCI Data */
0012 #pragma portrw tcr @ 0x12; /* ICIE,OCIE,TOIE,0;0,0,IEGE,OLVL */
0013 #pragma portrw tsr @ 0x13; /* ICF,OCF,TOF,0;0,0,0,0 */
0014 #pragma portrw icaphi1 @ 0x14; /* Input Capture Reg (Hi-0x14, Lo-0x15) */
0015 #pragma portrw icaplo1 @ 0x15; /* Input Capture Reg (Hi-0x14, Lo-0x15) */
0016 #pragma portrw ocphi1 @ 0x16; /* Output Compare Reg (Hi-0x16, Lo-0x17) */
0017 #pragma portrw ocplol1 @ 0x17; /* Output Compare Reg (Hi-0x16, Lo-0x17) */
0018 #pragma portrw tcnthi @ 0x18; /* Timer Count Reg (Hi-0x18, Lo-0x19) */
0019 #pragma portrw tcntlo @ 0x19; /* Timer Count Reg (Hi-0x18, Lo-0x19) */
001A #pragma portrw aregnthi @ 0x1a; /* Alternate Count Reg (Hi-$1A, Lo-$1B) */
001B #pragma portrw arentlo @ 0x1b; /* Alternate Count Reg (Hi-$1A, Lo-$1B) */
001C #pragma portrw icaphi2 @ 0x1c; /* Input Capture Reg (Hi-0x1c, Lo-0x1d) */
001D #pragma portrw icaplo2 @ 0x1d; /* Input Capture Reg (Hi-0x1c, Lo-0x1d) */
001E #pragma portrw ocphi2 @ 0x1e; /* Output Compare Reg (Hi-0x1e, Lo-0x1f) */
001F #pragma portrw ocplol2 @ 0x1f; /* Output Compare Reg (Hi-0x1e, Lo-0x1f) */
```

AN1315

```

1EFE 74          #pragma mor @ 0xlefe = 0x74; /* this disables the watchdog counter and does
                                     not add pull-down resistors on ports B and C */

                                     /* put constants and variables here...they must be global */
                                     /*****
0800 FC 30 DA 7A 36 6E E6 38 FE      const char lcdtab[]={0xfc,0x30,0xda,0x7a,0x36,0x6e,0xe6,0x38,0xfe,0x3e };
0809 3E
                                     /* lcd pattern table 0 1 2 3 4 5 6 7 8 9 */

080A 27 10 03 E8 00 64 00 0A      const long dectable[] = { 10000, 1000, 100, 10 };

0050 0005          unsigned int digit[5]; /* buffer to hold results from cvt_bin_dec function */

0812 00 96 00 4B 00 96 00 1E 00    const long type[] = { 150, 75, 150, 30, 103 };
081B 67
                                     /*
                                     MPX2010 MPX2050 MPX2100 MPX2200 MPX2700
                                     The table above will cause the final results of the pressure to
                                     engineering units to display the 1.5, 7.3 and 15.0 devices with a
                                     decimal place in the tens position. The 30 and 103 psi devices will
                                     display in integer units.
                                     */

                                     const long slope_const[]={ 450,418,423,427,432,436,441,445,454,459,
081C 01 C2 01 A2 01 A7 01 AB 01      463,468,472,477,481,450 };
0825 B0 01 B4 01 B9 01 BD 01 C6
082E 01 CB 01 CF 01 D4 01 D8 01
0837 DD 01 E1 01 C2

0000          registera areg; /* processor's A register */

0055          long atodtemp; /* temp to accumulate 100 a/d readings for smoothing */

0059          long slope; /* multiplier for adc to engineering units conversion */

005B          int adcnt; /* a/d converter loop counter */

005C          long xdcr_offset; /* initial xdcr offset */

005E          long sensor_model; /* installed sensor based on J1..J3 */
0060          int sensor_index; /* determine the location of the decimal pt. */

0061 0063      unsigned long i,j; /* counter for loops */

0065          unsigned int k; /* misc variable */

          struct bothbytes
          {
            int hi;
            int lo;
          };

          union isboth
          {
            long l;
            struct bothbytes b;
          };

0066 0002      union isboth q; /* used for timer set-up */

                                     /*****
0068 0004      /* variables for add32 */
006C 0004      unsigned long SUM[2]; /* result */
0070 0004      unsigned long ADDEND[2]; /* one input */
                                     unsigned long AUGEND[2]; /* second input */

0074 0004      /* variables for sub32 */
0078 0004      unsigned long MINUE[2]; /* minuend */
007C 0004      unsigned long SUBTRA[2]; /* subtrahend */
                                     unsigned long DIFF[2]; /* difference */

0080 0004      /* variables for mul32 */
0084 0004      unsigned long MULTP[2]; /* multiplier */
0088 0004      unsigned long MTEMP[2]; /* high order 4 bytes at return */
                                     unsigned long MULCAN[2]; /* multiplicand at input, low 4 bytes at return */

```

```

/* variables for div32 */
008C 0004      unsigned long DVDND[2]; /* Dividend */
0090 0004      unsigned long DVSOR[2]; /* Divisor */
0094 0004      unsigned long QUO[2]; /* Quotient */
0098           unsigned int CNT; /* Loop counter */

/* The code starts here */

/*****

void add32()
{
    #asm
-----*
* Add two 32-bit values.
* Inputs:
*   ADDEND: ADDEND[0..3] HIGH ORDER BYTE IS ADDEND+0
*   AUGEND: AUGEND[0..3] HIGH ORDER BYTE IS AUGEND+0
* Output:
*   SUM: SUM[0..3] HIGH ORDER BYTE IS SUM+0
-----*
*
083C B6 6F      LDA  ADDEND+3  low byte
083E BB 73      ADD  AUGEND+3
0840 B7 6B      STA  SUM+3
0842 B6 6E      LDA  ADDEND+2  medium low byte
0844 B9 72      ADC  AUGEND+2
0846 B7 6A      STA  SUM+2
0848 B6 6D      LDA  ADDEND+1  medium high byte
084A B9 71      ADC  AUGEND+1
084C B7 69      STA  SUM+1
084E B6 6C      LDA  ADDEND    high byte
0850 B9 70      ADC  AUGEND
0852 B7 68      STA  SUM
0854 81        RTS          done
*
    #endasm
0855 81        RTS

void sub32()
{
    #asm
-----*
* Subtract two 32-bit values.
* Input:
*   Minuend: MINUE[0..3]
*   Subtrahend: SUBTRA[0..3]
* Output:
*   Difference: DIFF[1..0]
-----*
*
0856 B6 77      LDA  MINUE+3  low byte
0858 B0 7B      SUB  SUBTRA+3
085A B7 7F      STA  DIFF+3
085C B6 76      LDA  MINUE+2  medium low byte
085E B2 7A      SBC  SUBTRA+2
0860 B7 7E      STA  DIFF+2
0862 B6 75      LDA  MINUE+1  medium high byte
0864 B2 79      SBC  SUBTRA+1
0866 B7 7D      STA  DIFF+1
0868 B6 74      LDA  MINUE    high byte
086A B2 78      SBC  SUBTRA
086C B7 7C      STA  DIFF
086E 81        RTS          done
*
    #endasm
086F 81        RTS

void mul32()
{
    #asm
-----*
* Multiply 32-bit value by a 32-bit value
*
* Input:

```

AN1315

```

*      Multiplier:    MULTP[0..3]
*      Multiplicand:  MULCAN[0..3]
*      Output:
*      Product:      MTEMP[0..3] AND MULCAN[0..3] MTEMP[0] IS THE HIGH
*                   ORDER BYTE AND MULCAN[3] IS THE LOW ORDER BYTE
*
* THIS ROUTINE DOES NOT USE THE MUL INSTRUCTION FOR THE SAKE OF USERS NOT
* USING THE HC(7)05 SERIES PROCESSORS.
*-----*
*
*
0870 AE 20          LDX #32          loop counter
0872 3F 84          CLR MTEMP          clean-up for result
0874 3F 85          CLR MTEMP+1        *
0876 3F 86          CLR MTEMP+2        *
0878 3F 87          CLR MTEMP+3        *
087A 36 88          ROR MULCAN          low but to carry, the rest one to the right
087C 36 89          ROR MULCAN+1      *
087E 36 8A          ROR MULCAN+2      *
0880 36 8B          ROR MULCAN+3      *
0882 24 18          MNEXT BCC ROTATE   if carry is set, do the add
0884 B6 87          LDA MTEMP+3        *
0886 BB 83          ADD MULTP+3        *
0888 B7 87          STA MTEMP+3        *
088A B6 86          LDA MTEMP+2        *
088C B9 82          ADC MULTP+2        *
088E B7 86          STA MTEMP+2        *
0890 B6 85          LDA MTEMP+1        *
0892 B9 81          ADC MULTP+1        *
0894 B7 85          STA MTEMP+1        *
0896 B6 84          LDA MTEMP          *
0898 B9 80          ADC MULTP          *
089A B7 84          STA MTEMP          *
089C 36 84          ROTATE ROR MTEMP   else: shift low bit to carry, the rest to the right
089E 36 85          ROR MTEMP+1        *
08A0 36 86          ROR MTEMP+2        *
08A2 36 87          ROR MTEMP+3        *
08A4 36 88          ROR MULCAN          *
08A6 36 89          ROR MULCAN+1      *
08A8 36 8A          ROR MULCAN+2      *
08AA 36 8B          ROR MULCAN+3      *
08AC 5A            DEX                bump the counter down
08AD 26 D3          BNE MNEXT          done yet ?
08AF 81            RTS                done

                                #endasm
08B0 81            RTS                }

                                void div32()
                                {
                                #asm
*
*-----*
* Divide 32 bit by 32 bit unsigned integer routine
*
*      Input:
*      Dividend:  DVDND [+0..+3] HIGH ORDER BYTE IS DVND+0
*      Divisor:   DVSOR [+0..+3] HIGH ORDER BYTE IS DVSOR+0
*      Output:
*      Quotient:  QUO [+0..+3]   HIGH ORDER BYTE IS QUO+0
*-----*
*
08B1 3F 94          CLR QUOzero result registers
08B3 3F 95          CLR QUO+1          *
08B5 3F 96          CLR QUO+2          *
08B7 3F 97          CLR QUO+3          *
08B9 A6 01          LDA #1            initial loop count
08BB 3D 90          TST DVSOR          if the high order bit is set..no need to shift DVSOR
08BD 2B 0F          BMI DIV153

*
08BF 4C            DIV151 INCA          bump the loop counter
08C0 38 93          ASL DVSOR+3        now shift the divisor until the high order bit = 1
08C2 39 92          ROL DVSOR+2        *
08C4 39 91          ROL DVSOR+1        *
08C6 39 90          ROL DVSOR          *
08C8 2B 04          BMI DIV153        done if high order bit = 1

```

```

08CA A1 21          CMP #33          have we shifted all possible bits in the DVSOR yet ?
08CC 26 F1          BNE DIV151         no
*
08CE B7 98          DIV153 STA CNT          save the loop counter so we can do the divide
*
08D0 B6 8F          DIV163 LDA DVDND+3       sub 32 bit divisor from dividend
08D2 B0 93          SUB DVSOR+3         *
08D4 B7 8F          STA DVDND+3         *
08D6 B6 8E          LDA DVDND+2         *
08D8 B2 92          SBC DVSOR+2         *
08DA B7 8E          STA DVDND+2         *
08DC B6 8D          LDA DVDND+1         *
08DE B2 91          SBC DVSOR+1         *
08E0 B7 8D          STA DVDND+1         *
08E2 B6 8C          LDA DVDND           *
08E4 B2 90          SBC DVSOR           *
08E6 B7 8C          STA DVDND           *
08E8 24 1B          BCC DIV165         carry is clear if DVSOR was larger than DVDND
*
08EA B6 8F          LDA DVDND+3         add the divisor back...was larger than the dividend
08EC BB 93          ADD DVSOR+3         *
08EE B7 8F          STA DVDND+3         *
08F0 B6 8E          LDA DVDND+2         *
08F2 B9 92          ADC DVSOR+2         *
08F4 B7 8E          STA DVDND+2         *
08F6 B6 8D          LDA DVDND+1         *
08F8 B9 91          ADC DVSOR+1         *
08FA B7 8D          STA DVDND+1         *
08FC B6 8C          LDA DVDND           *
08FE B9 90          ADC DVSOR           *
0900 B7 8C          STA DVDND           *
0902 98            CLC                this will clear the respective bit in QUO due to
*                    the need to add DVSOR back to DVND
0903 20 01          BRA DIV167
0905 99            DIV165 SEC                this will set the respective bit in QUO
0906 39 97          DIV167 ROL QUO+3         set or clear the low order bit in QUO based on above
0908 39 96          ROL QUO+2          *
090A 39 95          ROL QUO+1          *
090C 39 94          ROL QUO            *
090E 34 90          LSR DVSOR          divide the divisor by 2
0910 36 91          ROR DVSOR+1        *
0912 36 92          ROR DVSOR+2        *
0914 36 93          ROR DVSOR+3        *
0916 3A 98          DEC CNT            bump the loop counter down
0918 26 B6          BNE DIV163         finished yet ?
091A 81            RTSyes
*
091B 81            RTS                #endasm
                                }
                                /*****/
                                /* These interrupts are not used...give them a graceful return if for
                                some reason one occurs */

1FFC 09 1C          __SWI(){}
091C 80            RTI
1FFA 09 1D          IRQ(){}
091D 80            RTI
1FF8 09 1E          TIMERCAP(){}
091E 80            RTI
1FF4 09 1F          TIMEROV(){}
091F 80            RTI
1FF2 09 20          SCI(){}
0920 80            RTI
                                /*****/

                                void sensor_type()
                                {
0921 B6 03          LDA $03          k = portd & 0x0e; /* we only care about bits 1..3 */
0923 A4 0E          AND #$0E
0925 B7 65          STA $65
0927 34 65          LSR $65          k = k >> 1; /* right justify the variable */
0929 B6 65          LDA $65          if ( k > 4 )
092B A1 04          CMP #$04

```

AN1315

```

092D 23 0C    BLS    $093B
                                { /* we have a set-up error in wire jumpers J1 - J3 */
092F 3F 02    CLR    $02    portc = 0; /* */
0931 A6 6E    LDA    #$6E    portb = 0x6e; /* S */
0933 B7 01    STA    $01
0935 A6 CE    LDA    #$CE    porta = 0xce; /* E */
0937 B7 00    STA    $00
0939 20 FE    BRA    $0939    while(1);
                                }
093B B6 65    LDA    $65    sensor_index = k;
093D B7 60    STA    $60
093F 97      TAX
0940 58      LSLX
0941 D6 08 12 LDA    $0812,X
0944 B7 5E    STA    $5E
0946 D6 08 13 LDA    $0813,X
0949 B7 5F    STA    $5F
094B 81      RTS
                                }

                                /*****/

                                void sensor_slope()
                                {
094C B6 03    LDA    $03    k=portd & 0xf0; /* we only care about bits 4..7 */
094E A4 F0    AND    #$F0
0950 B7 65    STA    $65
0952 34 65    LSR    $65    k = k >> 4; /* right justify the variable */
0954 34 65    LSR    $65
0956 34 65    LSR    $65
0958 34 65    LSR    $65
095A BE 65    LDX    $65    slope = slope_const[k];
095C 58      LSLX
095D D6 08 1C LDA    $081C,X
0960 B7 59    STA    $59
0962 D6 08 1D LDA    $081D,X
0965 B7 5A    STA    $5A
0967 81      RTS
                                }

                                /*****/

                                void delay(void) /* just hang around for a while */
                                {
0968 3F 62    CLR    $62    for (i=0; i<20000; ++i);
096A 3F 61    CLR    $61
096C B6 62    LDA    $62
096E A0 20    SUB    #$20
0970 B6 61    LDA    $61
0972 A2 4E    SBC    #$4E
0974 24 08    BCC    $097E
0976 3C 62    INC    $62
0978 26 02    BNE    $097C
097A 3C 61    INC    $61
097C 20 EE    BRA    $096C
097E 81      RTS
                                }

                                /*****/

                                read_a2d(void)
                                {
                                /* read the a/d converter on channel 5 and accumulate the result
                                in atodtemp */

097F 3F 56    CLR    $56    atodtemp=0; /* zero for accumulation */
0981 3F 55    CLR    $55
0983 3F 5B    CLR    $5B    for ( adcnt = 0 ; adcnt<100; ++adcnt) /* do 100 a/d conversions */
0985 B6 5B    LDA    $5B
0987 A8 80    EOR    #$80
0989 A1 E4    CMP    #$E4
098B 24 21    BCC    $09AE
                                {
098D A6 20    LDA    #$20    adstat = 0x20; /* convert on channel 0 */
098F B7 09    STA    $09
0991 0F 09 FD BRCLR 7,$09,$0991    while (!(adstat & 0x80)); /* wait for a/d to complete */
0994 B6 08    LDA    $08    atodtemp = addata + atodtemp;
0996 3F 57    CLR    $57
0998 B7 58    STA    $58
                                }

```

```

099A BB 56      ADD      $56
099C B7 58      STA      $58
099E B6 57      LDA      $57
09A0 B9 55      ADC      $55
09A2 B7 57      STA      $57
09A4 B7 55      STA      $55
09A6 B6 58      LDA      $58
09A8 B7 56      STA      $56
                                }
09AA 3C 5B      INC      $5B
09AC 20 D7      BRA      $0985
09AE B6 56      LDA      $56      atodtemp = atodtemp/100;
09B0 B7 58      STA      $58
09B2 B6 55      LDA      $55
09B4 B7 57      STA      $57
09B6 3F 9A      CLR      $9A
09B8 A6 64      LDA      #$64
09BA B7 9B      STA      $9B
09BC CD 0B F1   JSR      $0BF1
09BF CD 0C 22   JSR      $0C22
09C2 BF 55      STX      $55
09C4 B7 56      STA      $56
09C6 81        RTS

return atodtemp;
}

/*****/

void fixcompare (void) /* sets-up the timer compare for the next interrupt */
{
    q.b.hi = tcnthi;

    q.b.lo = tcntlo;

    q.l +=7500; /* ((4mhz xtal/2)/4) = counter period = 2us.*7500 = 15ms. */

    ocmphil = q.b.hi;
    areg=tsr; /* dummy read */
    ocmlol = q.b.lo;
}

/*****/

void TIMERCMP (void) /* timer service module */
{
    portc =~ portc; /* service the lcd by inverting the ports */
    portb =~ portb;
    porta =~ porta;
    fixcompare();
}

/*****/

void adzero(void) /* called by initio() to save initial xdcr's zero
pressure offset voltage output */
{
    for ( j=0; j<20; ++j) /* give the sensor time to "warm-up" and the

                                power supply time to settle down */
    {
        delay();
    }

    xdcr_offset = read_a2d();
}

09C7 B6 18      LDA      $18
09C9 B7 66      STA      $66
09CB B6 19      LDA      $19
09CD B7 67      STA      $67
09CF AB 4C      ADD      #$4C
09D1 B7 67      STA      $67
09D3 B6 66      LDA      $66
09D5 A9 1D      ADC      #$1D
09D7 B7 66      STA      $66
09D9 B7 16      STA      $16
09DB B6 13      LDA      $13
09DD B6 67      LDA      $67
09DF B7 17      STA      $17
09E1 81        RTS

1FF6 09 E2
09E2 33 02      COM      $02
09E4 33 01      COM      $01
09E6 33 00      COM      $00
09E8 AD DD      BSR      $09C7
09EA 80        RTI

09EB 3F 64      CLR      $64
09ED 3F 63      CLR      $63
09EF B6 64      LDA      $64
09F1 A0 14      SUB      #$14
09F3 B6 63      LDA      $63
09F5 A2 00      SBC      #$00
09F7 24 0B      BCC      $0A04

09F9 CD 09 68   JSR      $0968

09FC 3C 64      INC      $64
09FE 26 02      BNE      $0A02
0A00 3C 63      INC      $63
0A02 20 EB      BRA      $09EF
0A04 CD 09 7F   JSR      $097F

```


AN1315

```

0A07 3F 5C    CLR    $5C
0A09 B7 5D    STA    $5D
0A0B 81      RTS
}

/*****

void initio (void)    /* setup the I/O */
{
    adstat = 0x20; /* power-up the A/D */

    porta = portb = portc = 0;

    ddra = ddrb = ddrc = 0xff;

    areg=tsr; /* dummy read */
    ocmphi1 = ocmphi2 = 0;

    areg = ocmphi2; /* clear out output compare 2 if it happens to be set */
    fixcompare(); /* set-up for the first timer interrupt */
    tcr = 0x40;

    CLI; /* let the interrupts begin ! */
    /* write CAL to the display */
    portc = 0xcc; /* C */

    portb = 0xbe; /* A */

    porta = 0xc4; /* L */

    sensor_type(); /* get the model of the sensor based on J1..J3 */
    adzero(); /* auto zero */
}

/*****

void cvt_bin_dec(unsigned long arg)

/* First converts the argument to a five digit decimal value. The msd is in
the lowest address. Then leading zero suppress the value and write it to the
display ports.
The argument value is 0..65535 decimal. */

{
    char i;
    unsigned long l;
    for ( i=0; i < 5; ++i )

        {
            digit[i] = 0x0; /* put blanks in all digit positions */

        }

    for ( i=0; i < 4; ++i )

        {
            if ( arg >= dectable [i] )

0A0C A6 20    LDA    #$20
0A0E B7 09    STA    $09
0A10 3F 02    CLR    $02
0A12 3F 01    CLR    $01
0A14 3F 00    CLR    $00
0A16 A6 FF    LDA    #$FF
0A18 B7 06    STA    $06
0A1A B7 05    STA    $05
0A1C B7 04    STA    $04
0A1E B6 13    LDA    $13
0A20 3F 1E    CLR    $1E
0A22 3F 16    CLR    $16
0A24 B6 1F    LDA    $1F
0A26 AD 9F    BSR    $09C7
0A28 A6 40    LDA    #$40
0A2A B7 12    STA    $12
0A2C 9A      CLI

0A2D A6 CC    LDA    #$CC
0A2F B7 02    STA    $02
0A31 A6 BE    LDA    #$BE
0A33 B7 01    STA    $01
0A35 A6 C4    LDA    #$C4
0A37 B7 00    STA    $00
0A39 CD 09 21 JSR    $0921
0A3C AD AD    BSR    $09EB
0A3E 81      RTS

009D
0A3F BF 9D    STX    $9D
0A41 B7 9E    STA    $9E
009F
00A0
0A43 3F 9F    CLR    $9F
0A45 B6 9F    LDA    $9F
0A47 A1 05    CMP    #$05
0A49 24 07    BCC    $0A52

0A4B 97      TAX
0A4C 6F 50    CLR    $50,X

0A4E 3C 9F    INC    $9F
0A50 20 F3    BRA    $0A45
0A52 3F 9F    CLR    $9F
0A54 B6 9F    LDA    $9F
0A56 A1 04    CMP    #$04
0A58 24 7A    BCC    $0AD4

0A5A 97      TAX
0A5B 58      LSLX
0A5C D6 08 0B LDA    $080B,X
0A5F B0 9E    SUB    $9E
0A61 B7 58    STA    $58
0A63 B6 9D    LDA    $9D
0A65 A8 80    EOR    #$80
0A67 B7 57    STA    $57
0A69 D6 08 0A LDA    $080A,X
0A6C A8 80    EOR    #$80
0A6E B2 57    SBC    $57

```

```

0A70 BA 58    ORA    $58
0A72 22 5C    BHI    $0AD0

0A74 BE 9F    LDX    $9F
0A76 58      LSLX
0A77 D6 08 0A LDA    $080A,X
0A7A B7 A0    STA    $A0
0A7C D6 08 0B LDA    $080B,X
0A7F B7 A1    STA    $A1
0A81 B6 9E    LDA    $9E
0A83 B7 58    STA    $58
0A85 B6 9D    LDA    $9D
0A87 B7 57    STA    $57
0A89 B6 A0    LDA    $A0
0A8B B7 9A    STA    $9A
0A8D B6 A1    LDA    $A1
0A8F B7 9B    STA    $9B
0A91 CD 0B F1 JSR    $0BF1
0A94 CD 0C 22 JSR    $0C22
0A97 BF 57    STX    $57
0A99 B7 58    STA    $58
0A9B BE 9F    LDX    $9F
0A9D E7 50    STA    $50,X
0A9F BE 9F    LDX    $9F
0AA1 E6 50    LDA    $50,X
0AA3 3F 57    CLR    $57
0AA5 B7 58    STA    $58
0AA7 B6 A0    LDA    $A0
0AA9 B7 9A    STA    $9A
0AAB B6 A1    LDA    $A1
0AAD B7 9B    STA    $9B
0AAF CD 0B D2 JSR    $0BD2
0AB2 BF 57    STX    $57
0AB4 B7 58    STA    $58
0AB6 33 57    COM    $57
0AB8 30 58    NEG    $58
0ABA 26 02    BNE    $0ABE
0ABC 3C 57    INC    $57
0ABE B6 58    LDA    $58
0AC0 BB 9E    ADD    $9E
0AC2 B7 58    STA    $58
0AC4 B6 57    LDA    $57
0AC6 B9 9D    ADC    $9D
0AC8 B7 57    STA    $57
0ACA B7 9D    STA    $9D
0ACC B6 58    LDA    $58
0ACE B7 9E    STA    $9E

0AD0 3C 9F    INC    $9F
0AD2 20 80    BRA    $0A54
0AD4 B6 9E    LDA    $9E
0AD6 B7 58    STA    $58
0AD8 B6 9D    LDA    $9D
0ADA B7 57    STA    $57
0ADC BE 9F    LDX    $9F
0ADE B6 58    LDA    $58
0AE0 E7 50    STA    $50,X

0AE2 9B      SEI
0AE3 3D 52    TST    $52
0AE5 26 04    BNE    $0AEB
0AE7 3F 02    CLR    $02
0AE9 20 07    BRA    $0AF2
0AEB BE 52    LDX    $52
0AED D6 08 00 LDA    $0800,X
0AF0 B7 02    STA    $02
0AF2 3D 52    TST    $52
0AF4 26 08    BNE    $0AFE
0AF6 3D 53    TST    $53
0AF8 26 04    BNE    $0AFE
0AFA 3F 01    CLR    $01
0AFC 20 07    BRA    $0B05
0AFE BE 53    LDX    $53
0B00 D6 08 00 LDA    $0800,X

/* now zero suppress and send the lcd pattern to the display */
SEI;
if ( digit[2] == 0 ) /* leading zero suppression */
    portc = 0;
else
    portc = ( lcdtab[ digit[2] ] ); /* 100's digit */

if ( digit[2] == 0 && digit[3] == 0 )
    portb=0;
else
    portb = ( lcdtab[ digit[3] ] ); /* 10's digit */
}
}
digit[i] = arg;
arg = arg-(digit[i] * 1);
digit[i] = arg / 1;
l = dectable[i];

```

AN1315

```

0B03 B7 01    STA    $01
0B05 BE 54    LDX    $54                porta = ( lcdtab[digit[4]] ); /* 1's digit */
0B07 D6 08 00 LDA    $0800,X
0B0A B7 00    STA    $00

/* place the decimal point only if the sensor is 15 psi or 7.5 psi */
0B0C B6 60    LDA    $60                if ( sensor_index < 3 )
0B0E A8 80    EOR    #$80
0B10 A1 83    CMP    #$83
0B12 24 08    BCC    $0B1C
0B14 BE 54    LDX    $54                porta = ( lcdtab[digit[4]]+1 ); /* add the decimal point to the lsd */
0B16 D6 08 00 LDA    $0800,X
0B19 4C        INCA
0B1A B7 00    STA    $00
0B1C 3D 60    TST    $60                if(sensor_index ==0) /* special case */
0B1E 26 0F    BNE    $0B2F

                                {
0B20 BE 54    LDX    $54                porta = ( lcdtab[digit[4]] ); /* get rid of the decimal at lsd */
0B22 D6 08 00 LDA    $0800,X
0B25 B7 00    STA    $00
0B27 BE 53    LDX    $53                portb = ( lcdtab[digit[3]]+1 ); /* decimal point at middle digit */
0B29 D6 08 00 LDA    $0800,X
0B2C 4C        INCA
0B2D B7 01    STA    $01
                                }
0B2F 9A        CLI
0B30 CD 09 68 JSR    $0968                delay();
0B33 81        RTS
                                }

/*****

void display_psi(void)
/*
At power-up it is assumed that the pressure or vacuum port of
the sensor is open to atmosphere. The code in initio() delays
for the sensor and power supply to stabilize. One hundred A/D
conversions are averaged. That result is called xdcr_offset.
This routine calls the A/D routine which performs one hundred
conversions, divides the result by 100 and returns the value.
If the value returned is less than or equal to the xdcr_offset,
the value of xdcr_offset is substituted. If the value returned
is greater than xdcr_offset, xdcr_offset is subtracted from the
returned value.
*/

{
while(1)
{
0B34 CD 09 7F JSR    $097F                atodtemp = read_a2d(); /* atodtemp = raw a/d ( 0..255 ) */
0B37 3F 55    CLR    $55
0B39 B7 56    STA    $56
0B3B B0 5D    SUB    $5D                if ( atodtemp <= xdcr_offset )
0B3D B7 58    STA    $58
0B3F B6 5C    LDA    $5C
0B41 A8 80    EOR    #$80
0B43 B7 57    STA    $57
0B45 B6 55    LDA    $55
0B47 A8 80    EOR    #$80
0B49 B2 57    SBC    $57
0B4B BA 58    ORA    $58
0B4D 22 08    BHI    $0B57
0B4F B6 5C    LDA    $5C                atodtemp = xdcr_offset;
0B51 B7 55    STA    $55
0B53 B6 5D    LDA    $5D
0B55 B7 56    STA    $56
0B57 B6 56    LDA    $56                atodtemp -= xdcr_offset; /* remove the offset */
0B59 B0 5D    SUB    $5D
0B5B B7 56    STA    $56
0B5D B6 55    LDA    $55
0B5F B2 5C    SBC    $5C
0B61 B7 55    STA    $55
0B63 CD 09 4C JSR    $094C                sensor_slope(); /* establish the slope constant for this output */
0B66 B6 56    LDA    $56                atodtemp *= sensor_model;
0B68 B7 58    STA    $58
0B6A B6 55    LDA    $55
0B6C B7 57    STA    $57
0B6E B6 5E    LDA    $5E

```

```

0B70 B7 9A STA $9A
0B72 B6 5F LDA $5F
0B74 B7 9B STA $9B
0B76 CD 0B D2 JSR $0BD2
0B79 BF 55 STX $55
0B7B B7 56 STA $56
0B7D 3F 89 CLR $89
0B7F 3F 88 CLR $88
0B81 3F 81 CLR $81
0B83 3F 80 CLR $80
0B85 9F TXA
0B86 B7 82 STA $82
0B88 B6 56 LDA $56
0B8A B7 83 STA $83
0B8C B6 59 LDA $59
0B8E B7 8A STA $8A
0B90 B6 5A LDA $5A
0B92 B7 8B STA $8B
0B94 CD 08 70 JSR $0870
0B97 3F 90 CLR $90
0B99 A6 01 LDA #$01
0B9B B7 91 STA $91
0B9D A6 86 LDA #$86
0B9F B7 92 STA $92
0BA1 A6 A0 LDA #$A0
0BA3 B7 93 STA $93
0BA5 B6 88 LDA $88
0BA7 B7 8C STA $8C
0BA9 B6 89 LDA $89
0BAB B7 8D STA $8D
0BAD B6 8A LDA $8A
0BAF B7 8E STA $8E
0BB1 B6 8B LDA $8B
0BB3 B7 8F STA $8F
0BB5 CD 08 B1 JSR $08B1
0BB8 B6 96 LDA $96
0BBA B7 55 STA $55
0BBC B6 97 LDA $97
0BBE B7 56 STA $56
0BC0 BE 55 LDX $55
0BC2 CD 0A 3F JSR $0A3F
0BC5 CC 0B 34 JMP $0B34
0BC8 81 RTS
}

MULTP[0] = MULCAN[0] = 0;

MULTP[1] = atodtemp;

MULCAN[1] = slope;

mul32(); /* analog value * slope based on J1 through J3 */
DVSOR[0] = 1; /* now divide by 100000 */

DVSOR[1] = 0x86a0;

DVDND[0] = MULCAN[0];

DVDND[1] = MULCAN[1];

div32();
atodtemp = QUO[1]; /* convert to psi */

cvt_bin_dec( atodtemp ); /* convert to decimal and display */
}
}

/*****

void main()
{
initio(); /* set-up the processor's i/o */
display_psi();
while(1); /* should never get back to here */
}

0BC9 CD 0A 0C JSR $0A0C
0BCC CD 0B 34 JSR $0B34
0BCF 20 FE BRA $0BCF
0BD1 81 RTS
0BD2 BE 58 LDX $58
0BD4 B6 9B LDA $9B
0BD6 42 MUL
0BD7 B7 A4 STA $A4
0BD9 BF A5 STX $A5
0BDB BE 57 LDX $57
0BDD B6 9B LDA $9B
0BDF 42 MUL
0BE0 BB A5 ADD $A5
0BE2 B7 A5 STA $A5
0BE4 BE 58 LDX $58
0BE6 B6 9A LDA $9A
0BE8 42 MUL
0BE9 BB A5 ADD $A5
0BEB B7 A5 STA $A5
0BED 97 TAX
0BEE B6 A4 LDA $A4
0BF0 81 RTS
0BF1 3F A4 CLR $A4
0BF3 5F CLRX
0BF4 3F A2 CLR $A2
0BF6 3F A3 CLR $A3
0BF8 5C INCX
0BF9 38 58 LSL $58

```

AN1315

```

0BFB 39 57    ROL    $57
0BFD 39 A2    ROL    $A2
0BFF 39 A3    ROL    $A3
0C01 B6 A2    LDA    $A2
0C03 B0 9B    SUB    $9B
0C05 B7 A2    STA    $A2
0C07 B6 A3    LDA    $A3
0C09 B2 9A    SBC    $9A
0C0B B7 A3    STA    $A3
0C0D 24 0D    BCC    $0C1C
0C0F B6 9B    LDA    $9B
0C11 BB A2    ADD    $A2
0C13 B7 A2    STA    $A2
0C15 B6 9A    LDA    $9A
0C17 B9 A3    ADC    $A3
0C19 B7 A3    STA    $A3
0C1B 99       SEC
0C1C 59       ROLX
0C1D 39 A4    ROL    $A4
0C1F 24 D8    BCC    $0BF9
0C21 81       RTS
0C22 53       COMX
0C23 9F       TXA
0C24 BE A4    LDX    $A4
0C26 53       COMX
0C27 81       RTS
1FFE 0B C9

```

SYMBOL TABLE

LABEL	VALUE	LABEL	VALUE	LABEL	VALUE	LABEL	VALUE
ADDEND	006C	AUGEND	0070	CNT	0098	DIFF	007C
DIV151	08BF	DIV153	08CE	DIV163	08D0	DIV165	0905
DIV167	0906	DVDND	008C	DVSOR	0090	IRQ	091D
MINUE	0074	MNEXT	0882	MTEMP	0084	MULCAN	0088
MULTP	0080	QUO	0094	ROTATE	089C	SCI	0920
SUBTRA	0078	SUM	0068	TIMERCAP	091E	TIMERCMP	09E2
TIMEROV	091F	__LDIV	0BF1	__LongIX	009A	__MAIN	0BC9
__MUL	0000	__MUL16x16	0BD2	__RDIV	0C22	__RESET	1FFE
__STARTUP	0000	__STOP	0000	__SWI	091C	__WAIT	0000
__longAC	0057	adcnt	005B	add32	083C	addata	0008
adstat	0009	adzero	09EB	aregnthi	001A	aregntlo	001B
arg	009D	atodtemp	0055	b	0000	bothbytes	0002
cvt_bin_dec	0A3F	ddra	0004	ddrb	0005	ddrc	0006
dectable	080A	delay	0968	digit	0050	display_psi	0B34
div32	08E1	eeclk	0007	fixcompare	09C7	hi	0000
i	0061	icaphi1	0014	icaphi2	001C	icaplo1	0015
icaplo2	001D	initio	0A0C	isboth	0002	j	0063
k	0065	l	0000	lcdtab	0800	lo	0001
main	0BC9	misc	000C	mul32	0870	ocmphi1	0016
ocmphi2	001E	ocmplo1	0017	ocmplo2	001F	plma	000A
plmb	000B	porta	0000	portb	0001	portc	0002
portd	0003	q	0066	read_a2d	097F	scibaud	000D
scicnt11	000E	scicnt12	000F	scidata	0011	scistat	0010
sensor_index	0060	sensor_model	005E	sensor_slope	094C	sensor_type	0921
slope	0059	slope_const	081C	sub32	0856	tcnthi	0018
tcntlo	0019	tcr	0012	tsr	0013	type	0812
xdcr_offset	005C						

MEMORY USAGE MAP ('X' = Used, '-' = Unused)

```

0800 : XXXXXXXXXXXXXXXXXXXX XXXXXXXXXXXXXXXXXXXX XXXXXXXXXXXXXXXXXXXX XXXXXXXXXXXXXXXXXXXX
0840 : XXXXXXXXXXXXXXXXXXXX XXXXXXXXXXXXXXXXXXXX XXXXXXXXXXXXXXXXXXXX XXXXXXXXXXXXXXXXXXXX
0880 : XXXXXXXXXXXXXXXXXXXX XXXXXXXXXXXXXXXXXXXX XXXXXXXXXXXXXXXXXXXX XXXXXXXXXXXXXXXXXXXX
08C0 : XXXXXXXXXXXXXXXXXXXX XXXXXXXXXXXXXXXXXXXX XXXXXXXXXXXXXXXXXXXX XXXXXXXXXXXXXXXXXXXX

0900 : XXXXXXXXXXXXXXXXXXXX XXXXXXXXXXXXXXXXXXXX XXXXXXXXXXXXXXXXXXXX XXXXXXXXXXXXXXXXXXXX
0940 : XXXXXXXXXXXXXXXXXXXX XXXXXXXXXXXXXXXXXXXX XXXXXXXXXXXXXXXXXXXX XXXXXXXXXXXXXXXXXXXX
0980 : XXXXXXXXXXXXXXXXXXXX XXXXXXXXXXXXXXXXXXXX XXXXXXXXXXXXXXXXXXXX XXXXXXXXXXXXXXXXXXXX
09C0 : XXXXXXXXXXXXXXXXXXXX XXXXXXXXXXXXXXXXXXXX XXXXXXXXXXXXXXXXXXXX XXXXXXXXXXXXXXXXXXXX

0A00 : XXXXXXXXXXXXXXXXXXXX XXXXXXXXXXXXXXXXXXXX XXXXXXXXXXXXXXXXXXXX XXXXXXXXXXXXXXXXXXXX
0A40 : XXXXXXXXXXXXXXXXXXXX XXXXXXXXXXXXXXXXXXXX XXXXXXXXXXXXXXXXXXXX XXXXXXXXXXXXXXXXXXXX
0A80 : XXXXXXXXXXXXXXXXXXXX XXXXXXXXXXXXXXXXXXXX XXXXXXXXXXXXXXXXXXXX XXXXXXXXXXXXXXXXXXXX
0AC0 : XXXXXXXXXXXXXXXXXXXX XXXXXXXXXXXXXXXXXXXX XXXXXXXXXXXXXXXXXXXX XXXXXXXXXXXXXXXXXXXX

```

```
0B00 : XXXXXXXXXXXXXXXXXXXX XXXXXXXXXXXXXXXXXXXX XXXXXXXXXXXXXXXXXXXX XXXXXXXXXXXXXXXXXXXX
0B40 : XXXXXXXXXXXXXXXXXXXX XXXXXXXXXXXXXXXXXXXX XXXXXXXXXXXXXXXXXXXX XXXXXXXXXXXXXXXXXXXX
0B80 : XXXXXXXXXXXXXXXXXXXX XXXXXXXXXXXXXXXXXXXX XXXXXXXXXXXXXXXXXXXX XXXXXXXXXXXXXXXXXXXX
0BC0 : XXXXXXXXXXXXXXXXXXXX XXXXXXXXXXXXXXXXXXXX XXXXXXXXXXXXXXXXXXXX XXXXXXXXXXXXXXXXXXXX


0C00 : XXXXXXXXXXXXXXXXXXXX XXXXXXXXXXXXXXXXXXXX XXXXXXXXX----- -----
0C40 : -----
0C80 : -----
0CC0 : -----

1E00 : -----
1E40 : -----
1E80 : -----
1EC0 : -----X-

1F00 : -----
1F40 : -----
1F80 : -----
1FC0 : -----XXXXXXXXXXXX
```

All other memory blocks unused.

```
Errors      : 0
Warnings    : 0
```

Motorola reserves the right to make changes without further notice to any products herein. Motorola makes no warranty, representation or guarantee regarding the suitability of its products for any particular purpose, nor does Motorola assume any liability arising out of the application or use of any product or circuit, and specifically disclaims any and all liability, including without limitation consequential or incidental damages. "Typical" parameters which may be provided in Motorola data sheets and/or specifications can and do vary in different applications and actual performance may vary over time. All operating parameters, including "Typicals" must be validated for each customer application by customer's technical experts. Motorola does not convey any license under its patent rights nor the rights of others. Motorola products are not designed, intended, or authorized for use as components in systems intended for surgical implant into the body, or other applications intended to support or sustain life, or for any other application in which the failure of the Motorola product could create a situation where personal injury or death may occur. Should Buyer purchase or use Motorola products for any such unintended or unauthorized application, Buyer shall indemnify and hold Motorola and its officers, employees, subsidiaries, affiliates, and distributors harmless against all claims, costs, damages, and expenses, and reasonable attorney fees arising out of, directly or indirectly, any claim of personal injury or death associated with such unintended or unauthorized use, even if such claim alleges that Motorola was negligent regarding the design or manufacture of the part. Motorola and  are registered trademarks of Motorola, Inc. Motorola, Inc. is an Equal Opportunity/Affirmative Action Employer.

Mfax is a trademark of Motorola, Inc.

How to reach us:

USA/EUROPE/Locations Not Listed: Motorola Literature Distribution;
P.O. Box 5405, Denver, Colorado 80217. 1-303-675-2140 or 1-800-441-2447

JAPAN: Nippon Motorola Ltd.: SPD, Strategic Planning Office, 141,
4-32-1 Nishi-Gotanda, Shagawa-ku, Tokyo, Japan. 03-5487-8488

Customer Focus Center: 1-800-521-6274

Mfax™: RMFAX0@email.sps.mot.com – TOUCHTONE 1-602-244-6609
Motorola Fax Back System – US & Canada ONLY 1-800-774-1848
– http://sps.motorola.com/mfax/

ASIA/PACIFIC: Motorola Semiconductors H.K. Ltd.; 8B Tai Ping Industrial Park,
51 Ting Kok Road, Tai Po, N.T., Hong Kong. 852-26629298

HOME PAGE: <http://motorola.com/sps/>

**MOTOROLA**