



# SUNON

## SPECIFICATION FOR APPROVAL

**CUSTOMER** :

**DESCRIPTION** : AXIAL AC FAN

**DIMENSIONS** : 92X92X25 mm

**MODEL** : SF23092A

**P/N** : 2092HBT

**APPROVED NO** :

**APPROVED BY** :  
(AUTHORZIED)



DAWN.		CHKD.		APPD.		SPEC. NO.	292228300
						ISSUE DATE	07.12.1996
						EDITION	0
						REVISE DATE	

建準電機工業股份有限公司

SUNONWEALTH ELECTRIC MACHINE INDUSTRY CO., LTD.

12FL., 120 CHUNG CHENG 1ST RD.,

TEL:886-7-7163069(41 LINES)

KAOHSIUNG, TAIWAN, R. O. C.

FAX:886-7-7163086~89

**AXIAL AC FAN**  
**MODEL : SF23092A**  
**P/N : 2092HBT**



**CHARACTERISTICS**

- 1. Motor Design** : **Reliable Shaded-Pole Motor Construction.**
- 2. Insulation Resistance** : **500 Megohms minimum at 500 VDC.**
- 3. Dielectric Strength** : **1500 VAC for one minute.**
- 4. Motor Protection** : **Impedence protected.**
- 5. Noise Level** : **Measured in an semi-anechoic chamber**  
**with background noise level below 15**  
**dBa. The fan is running in free air with**  
**microphone at a distance of one meter**  
**from the fan intake.**
- 6. Air Performance** : **Measured by a double chamber. The value are**  
**recorded when the fan speed is stabilized at**  
**rated voltage.**
- 7. Tolerances** : **±15% on rated power and current.**

建準電機工業股份有限公司 SUNONWEALTH ELECTRIC MACHINE INDUSTRY CO., LTD.	SPEC. NO.	292228300	REVISE DATE	
	ISSUE DATE	07. 12. 1996	EDITION	0
	PAGE	2 OF 6		

## SPECIFICATIONS

MODEL: SF23092A

P/N : 2092HBT

- 1-1. Rated Voltage : 220/240 VAC 50/60 HZ
- 1-2. Operating Voltage Range : 185-245 VAC
- 1-3. Starting Voltage : 185 VAC
- 1-4. Rated Speed : 2350/2850 RPM $\pm$ 5%
- 1-5. Air Delivery : 30/37 CFM
- 1-6. Static Pressure : 0.13/0.19 Inch-H<sub>2</sub>O
- 1-7. Rated Current : 0.07/0.06 AMP
- 1-8. Input Power : 14.5/14 WATTS
- 1-9. Noise Level : 37/40 dB(A)
- 1-10. Direction of Rotation : Clockwies viewed from front face
- 1-11. Motor Protection : Impredance Protected
- 1-12. Operating Temperature : -10 to +70 Deg.C
- 1-13. Storage Temperature : -40 to +70 Deg.C
- 1-14. Bearing System : Precise ball bearing system
- 1-15. Weight : 280 g
- 1-16. Safety : UL/CSA Approvals



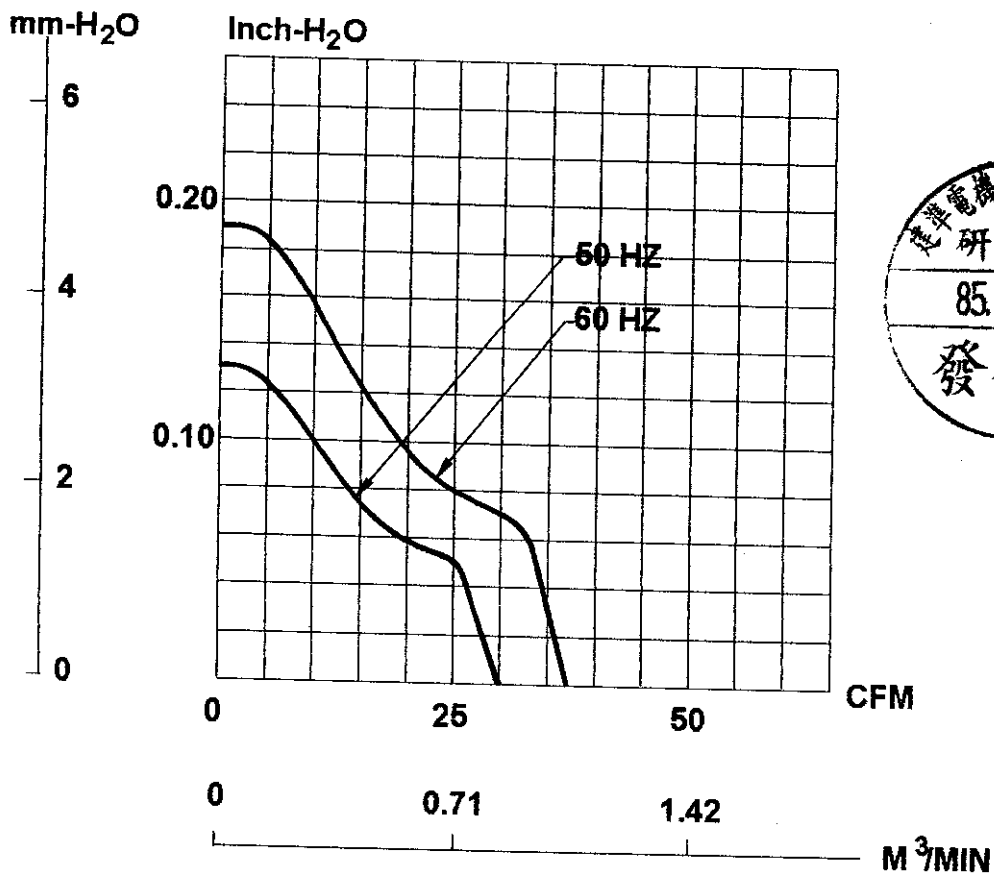
建準電機工業股份有限公司 SUNONWEALTH ELECTRIC MACHINE INDUSTRY CO., LTD	SPEC. NO.	292228300	REVISE DATE	
	ISSUE DATE	07. 12. 1996	EDITION	0
	PAGE	3 OF 6		

MODEL: SF23092A

P/N : 2092HBT

PERFORMANCE CURVES

STATIC PRESSURE



建準電機工業股份有限公司  
SUNONWEALTH ELECTRIC  
MACHINE INDUSTRY CO., LTD.

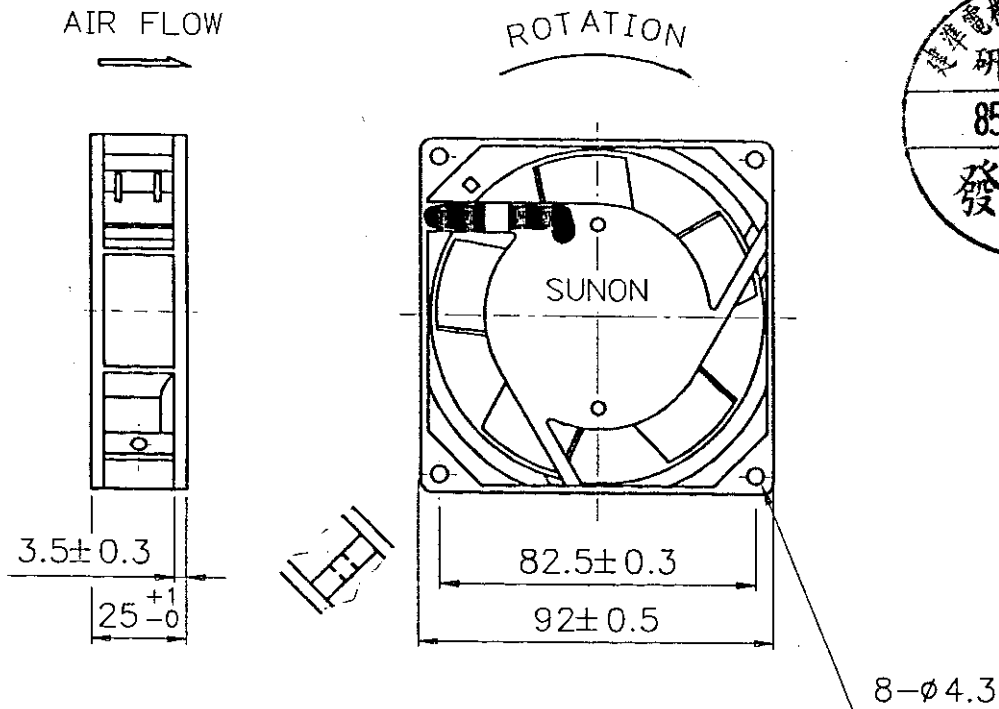
SPEC. NO.	292228300	REVISE DATE	
ISSUE DATE	07. 12. 1996	EDITION	0
PAGE	4 OF 6		

**MATERIAL**

2. Material

- 2-1 Frame : Thermoplastic PBT of UL 94V-0
- 2-2. Impeller : Thermoplastic PBT of UL 94V-0
- 2-3. Lead Wire : UL1007,24AWG

**DIMENSIONS**



UNIT : mm

建準電機工業股份有限公司 SUNONWEALTH ELECTRIC MACHINE INDUSTRY CO., LTD.	SPEC. NO.	292228300	REVISE DATE	
	ISSUE DATE	07. 12. 1996	EDITION	0
	PAGE	5 OF 6		



**Notes**

1. SUNON will not guarantee the products if the application of our products is exceeded the limitation which is specified on this specification.
2. In case of change of the specification specified on this document, a written notice is requested in advance.
- √ 3. Please do not touch the impeller with pressure and never bring the fan with lead wire. The bearings and lead wire may be damaged.
4. No guarantee on the products against the safety problem or failure caused by powder dust, drop of water or insect.
5. If there is any data or related documentation different from this data sheet, this data sheet is the principal reference.
6. For the purpose of MIS, please indicate SPEC No. on every order.
7. In case of the fan has no polarity protection function, wires with same color (electrode) must be connected together during the assembly. (i.e. red+red, black+black)

建準電機工業股份有限公司 SUNONWEALTH ELECTRIC MACHINE INDUSTRY CO., LTD.	SPEC. NO.	292228300	REVISE DATE	
	ISSUE DATE	07. 12. 1996	EDITION	0
	PAGE	6 OF 6		