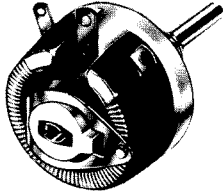




RT12 RTE12

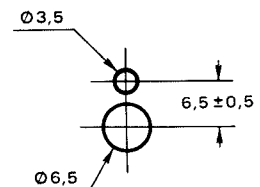
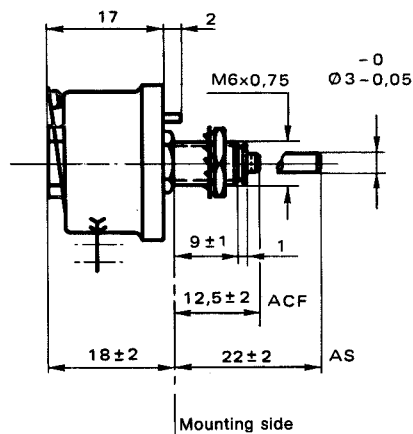
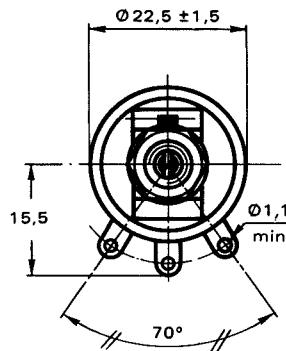
wirewound rheostat / potentiometer

12 W at 25°C
CCTU 05-03B (PA9)



RT12-PA9

PANEL CUT OUT DETAILS



Dimensions in mm

SPECIFICATIONS

MECHANICAL

MECHANICAL PROTECTION... RT12 vitreous
RTE12 lacquered
MECHANICAL TRAVEL... 290° +15° -10°
OPERATING TORQUE... 1 to 10 Ncm
END STOP TORQUE... 25 Ncm
UNIT WEIGHT... 18,3 g

ENVIRONMENTAL

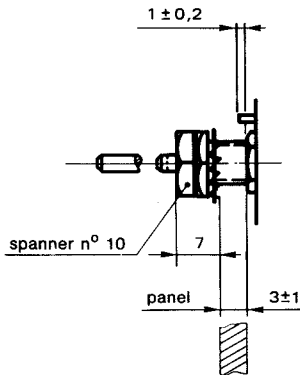
TEMPERATURE RANGE... RT12 -55°C +320°C
RTE12 -55°C +220°C
CLIMATIC CATEGORY... CCTU 454
CEI 55 / 200 / 56

ELECTRICAL

OHMIC RANGE... RT12 1 Ω... 2,2 kΩ
RTE12 > 2,2 kΩ... 4,7 kΩ
TOLERANCE standard... ±10%
POWER RATING... 12 W at 25°C
VARIATION LAW... linear
LIMITING ELEMENT VOLTAGE... 300 V
DIELECTRIC STRENGTH... 1000 V RMS
INSULATION RESISTANCE... 10³ MΩ (500 V CC)

LOCKING DEVICE

The spindle locking device can be fitted only to special units equipped with a slotted bushing.
Order reference: RTB12



SPINDLES

Table 1

Ø mm	Distance to mounting plate mm	Screw driver slot	Code
3	12,5	with	ACF
3	22	without	AS

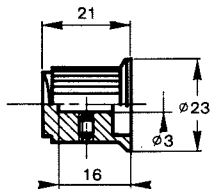
For any special requirement on request : spindle flats, etc., please supply detailed drawing.

PARTICULAR CHARACTERISTICS

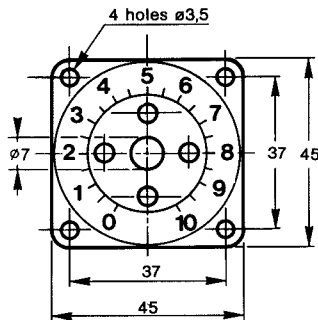
Table 2

Nominal resistance Ω	Max. service voltage V	Max. current through wiper mA
1	3,46	3460
1,5	4,24	2830
2,2	5,14	2340
3,3	6,29	1910
4,7	7,51	1600
6,8	9,03	1330
10	11	1100
15	13,4	900
22	16,3	740
33	19,9	603
47	23,7	505
68	28,6	420
100	34,6	346
150	42,4	283
220	51,4	234
330	62,9	191
470	75,1	160
680	90,3	133
1k	110	110
1,5k	134	90
2,2k	163	74

COMMAND KNOB 20JF (option)



DIAL: CG45 (option)



MARKING

- SFERNICE trademark
- series
- style
- ohmic value in Ω or kΩ
- tolerance in %
- maximum current in A
- manufacturing date

ORDERING PROCEDURE

	SERIES	STYLE	SPINDLE LOCKING DEVICE	VARIATION LAW	SPECIAL DESIGN	WINDING	SPINDLE (Code)	OHMIC VALUE	TOLERANCE
Vitreous	RT	12		A			AS	1,5 kΩ	±10%
Lacquered	RTE		Optional		Method N° Optional	Optional	for special spindles, please supply detailed drawing		

OPTIONS

ACCESSORIES	20JF	CG45	XXX
MODEL	KNOB	DIAL	OTHER SPECIAL REQUIREMENTS



VISHAY S.A.
International Department
199, Boulevard de la Madeleine
B.P. 1159
F 06003 NICE CEDEX 1
Tel. : (33) 04 93 37 27 27
Fax. : (33) 04 93 37 27 26