

# Power Rheostats

50 Watt



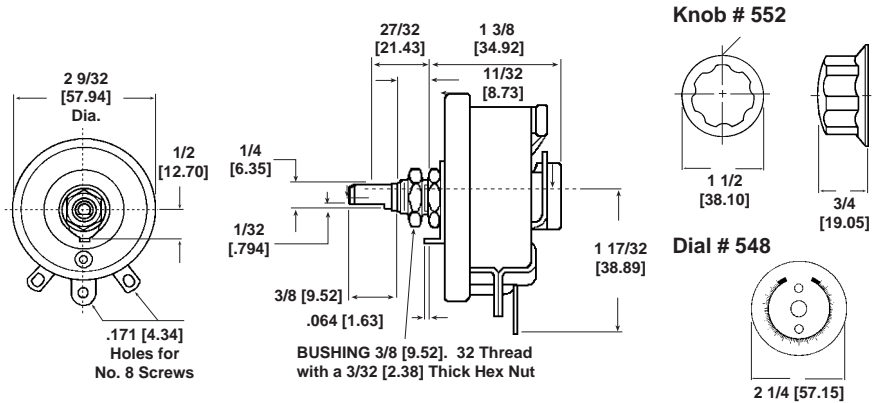
## FEATURES

- Diameter 2 9/32" [57.94mm]
- Depth behind panel 1 3/8" [34.92mm]
- Shaft 1/4" [6.35mm] diameter
- Rotation 300° ± 5°
- Weight 0.321 pounds (145 grams)
- Mounts on panels up to 1/4" [6.35mm] by means of a 3/8" [9.52mm], 32 bushing and hex nut
- Non-turn lugs require 3/16" [4.76mm] hole, 1/2" [12.70mm] below center of shaft - Model "A" shaft
- U. L. Recognized, File No. E51076

RESISTANCE VALUES*		
TOTAL OHMS	MAXIMUM AMPS	APPROXIMATE STEPS
0.5	10.00	24
1.0	7.07	46
2.0	5.00	50
4.0	3.54	44
6.0	2.89	74
8.0	2.50	85
12.0	2.04	108
16.0	1.76	108
22.0	1.50	123
35.0	1.19	148
50.0	1.00	113
80.0	0.79	147
125.0	0.63	178
150.0	0.58	173
225.0	0.47	203
300.0	0.41	214
500.0	0.32	290
800.0	0.25	365
1000.0	0.22	358
1600.0	0.18	367
2500.0	0.14	460
3500.0	0.12	505
5000.0	0.10	565
8000.0	0.08	695
10000.0	0.07	693

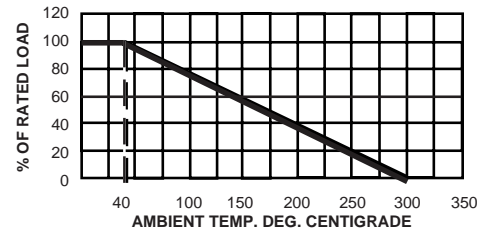
\* All other intermediate resistance values are available and can be manufactured on a normal delivery cycle.

## DIMENSIONS in inches [millimeters]



## DERATING

Angstrom rheostat standard wattage ratings are based on a 300°C rise in "free-air" in ambient not exceeding + 40°C (shown). For other applications, wattage ratings are available based on 340°C rise in "free-air" in ambient not exceeding + 25°C, and in other cases + 50°C.



## SPECIAL SHAFTS in inches [millimeters]

<p>1/2 [12.70]</p> <p>11/32 [8.73]</p> <p><b>TYPE B:</b> 1/2 [12.70], 11/32 [8.73] Models. Slotted shaft with standard bushing for 1/8 [3.18] panel.</p>	<p>3/4 [19.05]</p> <p>5/8 [15.88]</p> <p><b>TYPE C:</b> 3/4 [19.05], 5/8 [15.88] Models. Locking bushing with slotted shaft for 1/4 [6.35] panel.</p>	<p>5/8 [15.88]</p> <p>1/2 [12.70]</p> <p><b>TYPE D:</b> 5/8 [15.88], 1/2 [12.70] Models. Locking bushing with slotted shaft for 1/8 [3.18] panel.</p>	<p>27/32 [21.43]</p> <p>11/32 [8.73]</p> <p><b>TYPE E:</b> 27/32 [21.43], 11/32 [8.73] Models. Std. bushing and flatted shaft w/screwdriver slot for 1/8 [3.18] panel.</p>
--	---	---	--