

SUNON

SPECIFICATION FOR APPROVAL

CUSTOMER :
DESCRIPTION : DC BRUSHLESS FAN
DIMENSIONS : 120X120X38 mm
M O D E L : KD2412PMBX-6A
APPROVED NO :
APPROVED BY :
(AUTHORIZED)

DAWN.	<i>Hui</i> 8/4	CHKD.		APPD.		SPEC.NO	D120104
						ISSUE DATE	08.04.1998
						EDITION	0
						REVISE DATE	
						E.SPEC	ED13080
建準電機工業股份有限公司 SUNONWEALTH ELECTRIC MACHINE INDUSTRY CO., LTD. 12FL., 120 CHUNG CHENG 1ST RD., TEL:886-7-7163069(41 LINES) KAOHSIUNG, TAIWAN, R. O. C. FAX:886-7-7163086~89							

DC BRUSHLESS FAN
MODEL: KD2412PMBX-6A

CHARACTERISTICS

- 1. Motor Design** : **Patented single-coil DC brushless 6 poles motor design.**
- 2. Insulation Resistance** : **More than 500M ohm between internal stator and lead wire(+) measured by DC 500V.**
- 3. Dielectric Strength** : **Applied AC 500V for one minute or AC 600V for 2 seconds between housing and lead wire(+)**
- 4. Noise Level** : **Measured in an semi-anechoic chamber with background noise level below 15 dB(A). The fan is running in free air with microphone at a distance of one meter from the fan intake.**
- 5. Input power, Current & Speed** : **Measured after continuous 30 minutes operation at rated voltage in clean air at ambient temperature of 25 degrees C.**
- 6. Tolerances** : **±15% on rated power and current.**
- 7. Motor Protection** : **Polarity protected & Locked rotor protected.**
- 8. Air Performance** : **Measured by a double chamber. The value are recorded when the fan speed is stabilized at rated voltage.**

建準電機工業股份有限公司 SUNONWEALTH ELECTRIC MACHINE INDUSTRY CO., LTD.	SPEC.NO	D120104	REVISE DATE	
	ISSUE DATE	08. 04. 1998	E D I T I O N	0
	P A G E	2 O F 6		

SPECIFICATIONS

MODEL: KD2412PMBX-6A

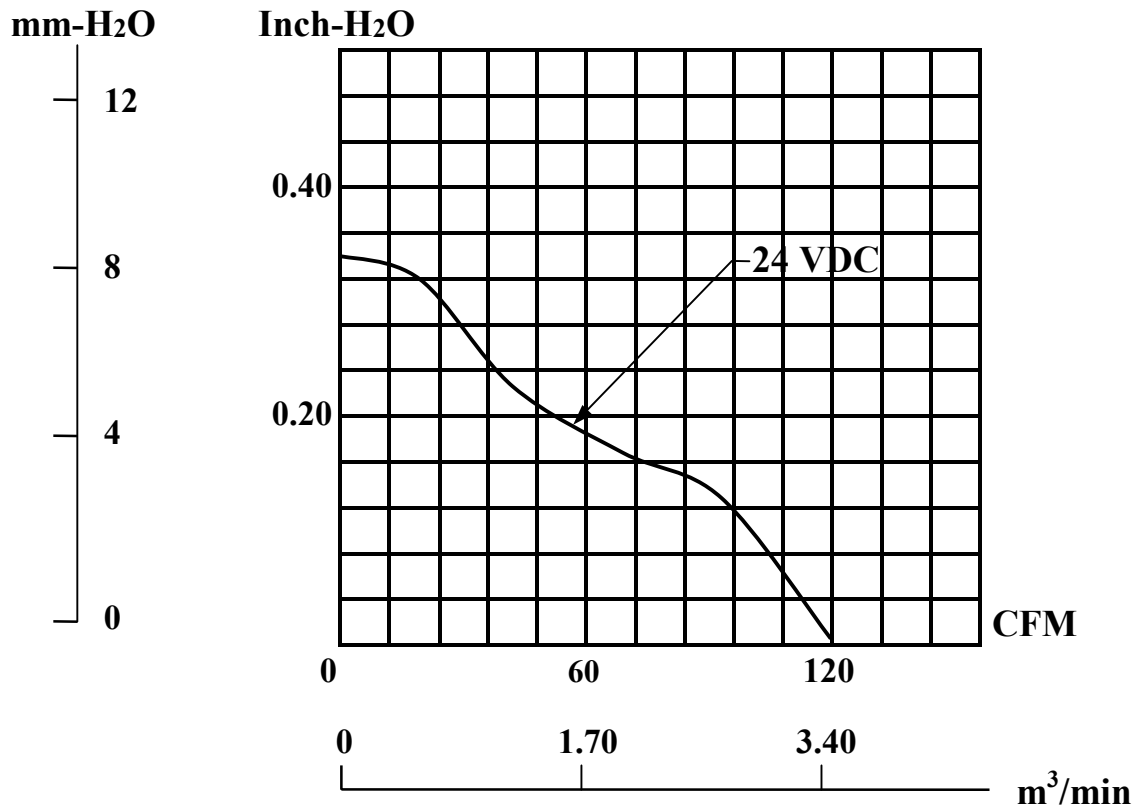
- 1-1. Rated Voltage : 24 VDC**
- 1-2. Operating Voltage Range : 20.4-27.6 VDC**
- 1-3. Starting Voltage : 16 VDC**
- 1-4. Rated Speed : 3150 RPM ± 250 RPM**
- 1-5. Air Delivery : 120 CFM**
- 1-6. Static Pressure : 0.34 Inch-H₂O**
- 1-7. Rated Current : 0.33 AMP**
- 1-8. Rated Power : 7.9 WATTS**
- 1-9. Noise Level : 46.5 dB(A)**
- 1-10. Direction of Rotation : Counter-clockwise viewed front fan blade**
- 1-11. Operating Temperature : -10 to +70 Deg.C**
- 1-12. Storage Temperature : -40 to +70 Deg.C**
- 1-13. Bearing System : Precise ball bearing system**
- 1-14. Weight : 328g**
- 1-15. Safety : UL/CUR/TUV Approvals**
- 1-16. Vibration : Vibration of acceleration 1.5G and Frequency 5~50~5Hz is applied in the 3 directions(X,Y,Z) for 30 minutes, each Direction at the cycle of 1 minute.**
- 1-17. Locked Rotor Protection : Automatic Restart Capability**

建準電機工業股份有限公司 SUNONWEALTH ELECTRIC MACHINE INDUSTRY CO., LTD.	SPEC.NO	D120104	REVISE DATE	
	ISSUE DATE	08. 04. 1998	E D I T I O N	0
	P A G E	3 O F 6		

MODEL : KD2412PMBX-6A

PERFORMANCE CURVES

**STATIC
PRESSURE**

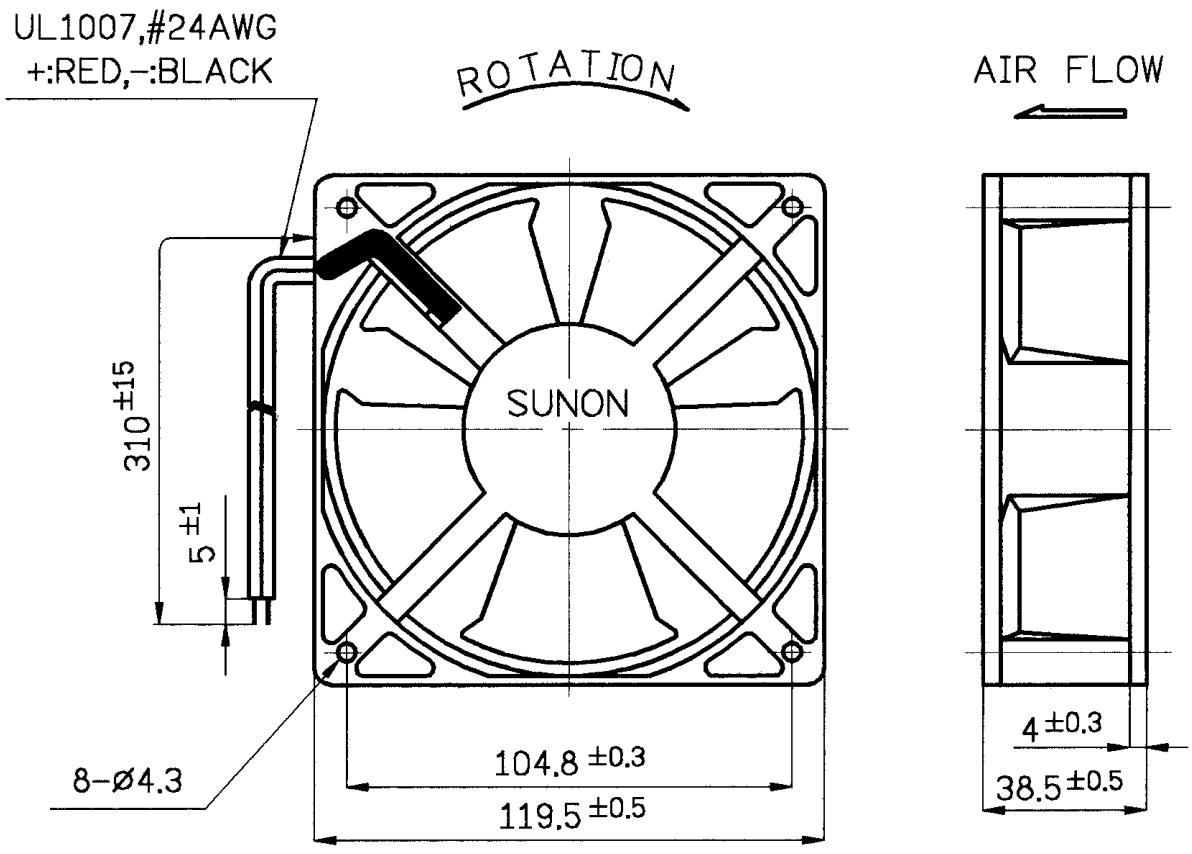


建準電機工業股份有限公司 SUNONWEALTH ELECTRIC MACHINE INDUSTRY CO., LTD.	SPEC.NO	D120104	REVISE DATE	
	ISSUE DATE	08. 04. 1998	E D I T I O N	0
	P A G E	4 O F 6		

MATERIAL

- 2-1. Frame : Thermoplastic PBT of UL 94V-0
- 2-2. Impeller : Thermoplastic PBT of UL 94V-0
- 2-3. Bobbin : Thermoplastic PBT of UL 94V-0
- 2-4. Lead Wire : UL1007,24AWG,+RED;-BLACK

DIMENSIONS



- 1. Air Flow Direction: Label side.
- 2. The Best Mounting Direction: In any orientation.

UNITS : mm

建準電機工業股份有限公司 SUNONWEALTH ELECTRIC MACHINE INDUSTRY CO., LTD.	SPEC.NO	D120104	REVISE DATE	
	ISSUE DATE	08. 04. 1998	E D I T I O N	0
	P A G E	5 O F 6		

Notes

- 1. SUNON will not guarantee the products if the application of our products is exceeded the limitation which is specified on this specification.**
- 2. In case of change of the specification specified on this document, a written notice is requested in advance.**
- 3. Please do not touch the impeller with pressure and never bring the fan with lead wire. The bearings and lead wire may be damaged.**
- 4. No guarantee on the products against the safety problem or failure caused by powder dust, drop of water or insect.**
- 5. If there is any data or related documentation different from this data sheet, this data sheet is the principal reference.**
- 6. For the purpose of MIS, please indicate SPEC No. on every order.**
- 7. In case of the fan has no polarity protection function, wires with same color (electrode) must be connected together during the assembly. (i.e. red + red, black + black) or the fan will be damaged immediately.**
- 8. Please do not use the fan in the environment of corrosive gas or liquid or any detrimental gas.**
- 9. Please do not store the fan in the environment of high / low temperature, high humidity or any detrimental gas. Please store the fan within 6 months, every 6 months, there shall be a linkage of electric current to the fan, even though the fan is stored in room temperature.**
- 10. While the fan is in operation, please do not lock the fan intentionally for a long period of time, since the continuous stoppage will result in over-heat and thus burn-out of the fan.**
- 11. During the installation of the fan, please pay substantial attention to possible noise cause by resonance vibration and vibration.**
- 12. During the testing of the fan, please be sure to use finger guard to insure safety.**

建準電機工業股份有限公司 SUNONWEALTH ELECTRIC MACHINE INDUSTRY CO., LTD.	SPEC.NO	D120104	REVISE DATE	
	ISSUE DATE	08. 04. 1998	E D I T I O N	0
	P A G E	6 O F 6		