

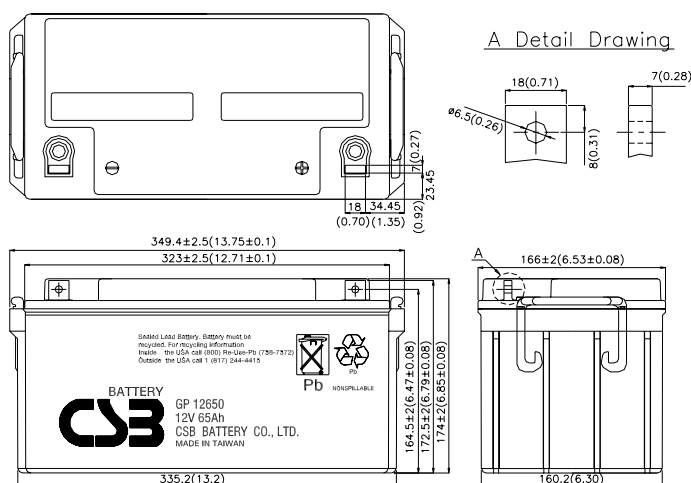
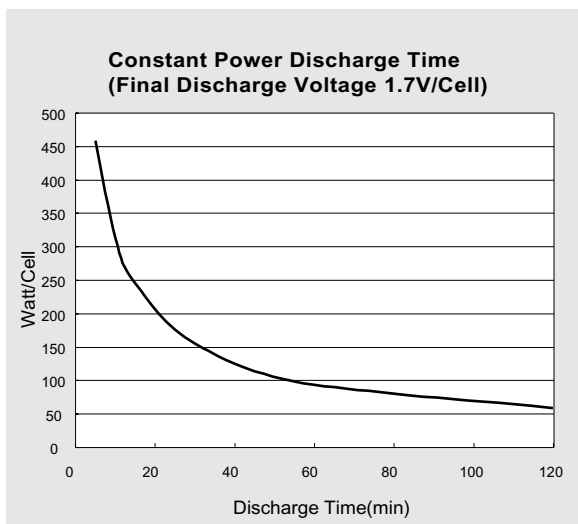
GP 12650

12V 65.0Ah

GP 12650 is a general purpose battery with 3-5 years in standby service or more than 260 cycles at 100% discharge in cycle service. As with all CSB batteries, all are rechargeable, highly efficient, maintenance free, leak proof, useable in any position and ISO certified as well as recognized by UL.

Specification

Cells per unit	6
Voltage per unit	13.05
Capacity	65Ah@20hr-rate to 1.75V per cell@25°C(77°F)
Weight	Approx 22.0kg(48.6 lbs)
Maximum Discharge Current	500A(5sec)
Internal Resistance Approx.	Approx 8mΩ
Operating Temperature Range	Discharge: -15°C~50°C(5°F~122°F) Charge: 5°C~35°C(41°F~95°F) Storage: 0°C~40°C(32°F~104°F)
Nominal Operating Temperature Range	25°C ± 3°C(77°F ± 5°F)
Float Charging Voltage	13.5 to 13.8VDC/unit Average at 25°C (77°F)
Recommended Maximum Charging Current Limit	19.5A
Equalization and Cycle Service	14.4 to 15.0 VDC/unit Average at 25°C (77°F)
Self Discharge	CSB Batteries can be stored for more than 6 months at 25°C(77°F) Please charge batteries before using. For higher temperatures the time interval will be shorter.
Terminal	Bolt & Nut
Container Material	-Polypropylene(94-HB & 94V-0 flame retardant case)



Constant Power Discharge Characteristics Unit: Watts (25°C, 77°F)

F.V/Time	5MIN	10MIN	15MIN	30MIN	60MIN	2HR	3HR	4HR	5HR	8HR	10HR	20HR
9.6V	3250	2080	1580	959	566	327	232	181	148	97.0	79.0	40.9
10.2V	2750	1880	1470	931	564	326	231	180	147	95.5	77.1	38.4
10.8V	2230	1640	1330	881	551	324	229	179	145	93.1	74.5	35.7

Constant Current Discharge Characteristics Unit: A (25°C, 77°F)

F.V/Time	5MIN	10MIN	15MIN	30MIN	60MIN	2HR	3HR	4HR	5HR	8HR	10HR	20HR
9.6V	271	173	132	79.9	47.2	27.3	19.4	15.1	12.4	8.08	6.58	3.41
10.2V	229	157	123	77.6	47.0	27.2	19.3	15.0	12.3	7.96	6.43	3.20
10.8V	186	137	111	73.4	45.9	27.0	19.1	14.9	12.1	7.76	6.21	2.98