



HELICASWITCH®

(Multi-turn Rotary Switch)

SAKAE Helicaswitch is an epoch-making and concept breaking helical multi-contacts rotary switch having a construction as shown below with highest efficiency as well as quality among those ever produced in the world. The number of contacts is remarkably increased, e.g. 30

contacts/1 circuit (3-turn type) and 200 contacts/1 circuit (20-turn type).

Specially designed turns-counting dial to facilitate read-out of position of contacts is available.

THE NOMENCLATURE OF SAKAE HELICASWITCH SERIES

50 HS 10 - 10 G H

● **Diameter**

50 means approximate 50mm diameter of the Helicaswitch in metric system.

● **Type**

HS means multi-turn rotary switch and it means Helicaswitch.

● **Number of Contacts**

10 means number of contacts per rotation.

● **Number of Turns**

10 means 10-turn.

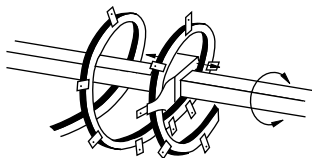
● **Starting Torque**

There are 2 kinds in starting torque. The one is **H** which means heavy starting torque type. The other is **L** which means light starting torque, to be combined with a turns-counting dial or with a stepping-motor for the purpose of automatic controls. (Unless otherwise specified, we will supply with H.)

● **Number of Gangs**

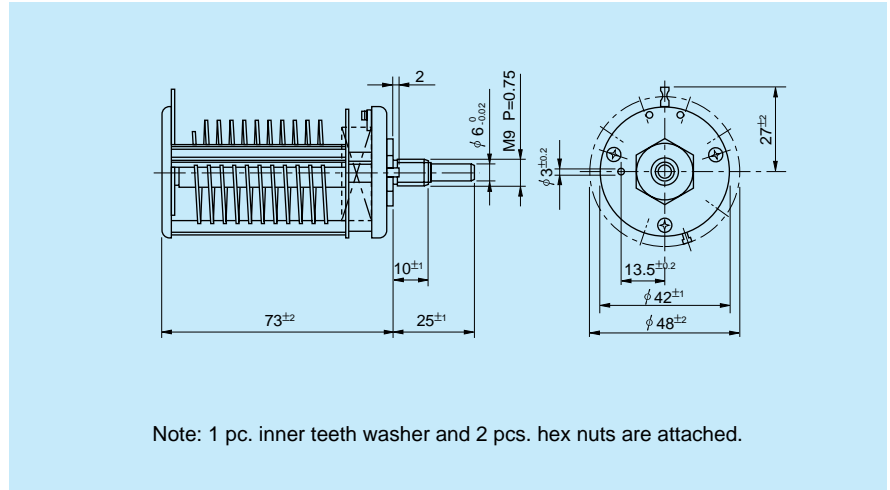
G means 2 ganged Helicaswitch on the same axle providing 2 circuits. Helicaswitch consists of one single section unless G is given. G3 means 3 ganged Helicaswitch. G4 means 4 ganged Helicaswitch.

● **Construction**



Model 50HS10-10

● Standard Dimensions



● General Specifications

Number of Contacts:	100	Starting Torque:	Heavy (H): Below 0.5N•m (5kgf•cm)
Number of Turns:	10 (No.of turns×10=No.of contacts)		Light (L): Below 0.1N•m (1kgf•cm)
Switching:	Shorting type (make before break type)	Stopper Strength:	Approx. 0.9N•m (9kgf•cm)
Contact Resistance:	Below 10mΩ at 5V.D.C. 1A	Operating Temperature Range:	-55℃ ~ +85℃
Permissible Current:	1A at 100V.A.C. (under the condition of no-sparking)	Life Expectancy:	25,000 cycles (500,000 steps in case of 100 contacts type)
Insulation Resistance:	Over 1,000MΩ at 500V.D.C.	Mass:	Approx. 150g (10-turn type)
Dielectric Strength:	1 minute at 1,000V.A.C.		

● Special Specifications Available

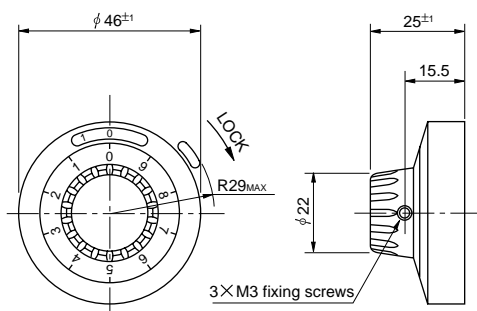
3-turn, 5-turn and 20-turn type, Special machining on the shaft.

Turns-Counting Dial to facilitate Read-out of Position of Contacts

Model HMB20-46B6

This specially designed turns-counting dial is only for use with our Helicaswitch and it has an inner graduation of 10 equal parts and outer graduation indicating up to 20 turns that are countable. The matching shaft diameter is 6 mm. You can easily read out the present contact position of the Helicaswitch by using this unique dial on our Helicaswitch.

● Standard Dimensions



Model HMB20-46B6