



DIGITAL POTENTIOMETER

(Models DP & MR Series)

SAKAE Digital Potentiometer series is a rather new item of our present precision potentiometer series and was developed in compliance with the requirements of digitalization era. These digital potentiometers employ an easy-to-get push-

button method with light touch feeling and features high accuracy in setting, excellent reproducibility of setting value and superior withstanding against vibration. Mounting method is simple and a broad range of resistance values are available.

THE NOMENCLATURE OF SAKAE DIGITAL POTENTIOMETER SERIES

DP200 2

● **Type**

DP200 means potentiometer type digital potentiometer and there are 2 types as follows:

DP200Potentiometer type (potential divider for use with voltage ratio)

MR100.....Rheostat type (possible setting by resistance values)

● **Number of digit**

2 means 2 digits and there are 3 kinds as follows.

2.....2 digits

3.....3 digits

4.....4 digits

SELECTION GUIDE

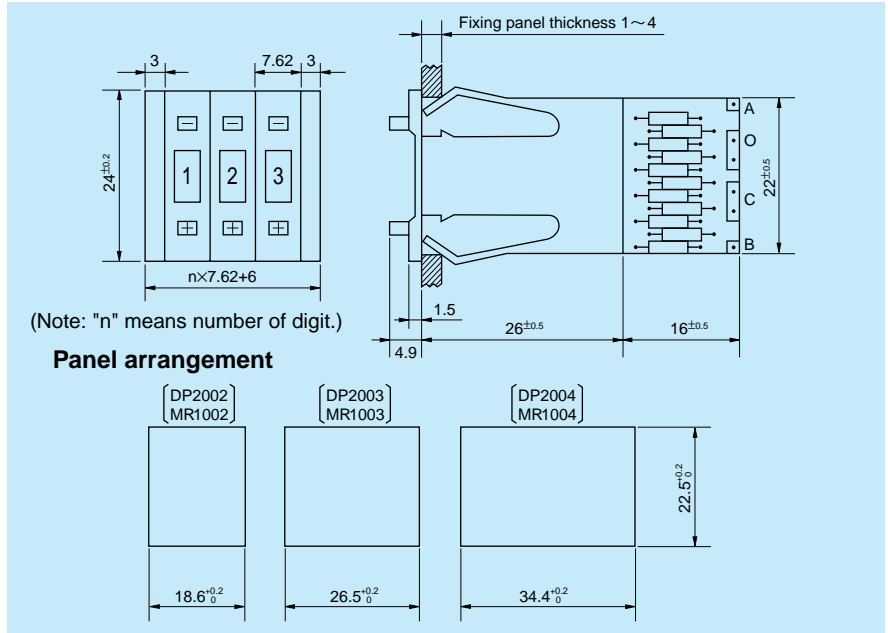
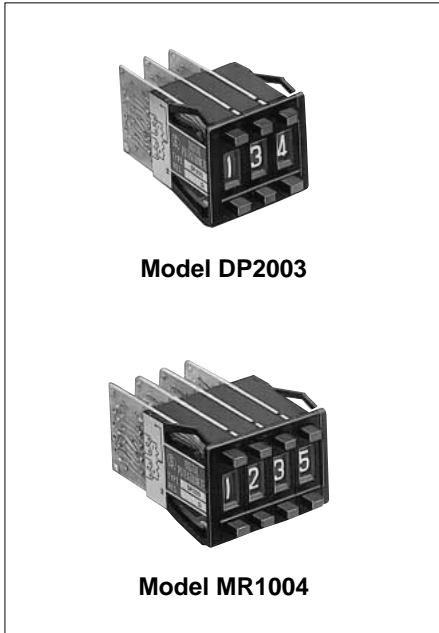
Type	Model No.	No. of Digit	Standard Resistance Values (Ω)
DP200	DP2002	2	1k, 2k
	DP2003	3	5k, 10k
	DP2004	4	10k, 50k
MR100	MR1002	2	1k, 2k
	MR1003	3	5k, 10k
	MR1004	4	10k, 50k

● **APPLICATIONS**

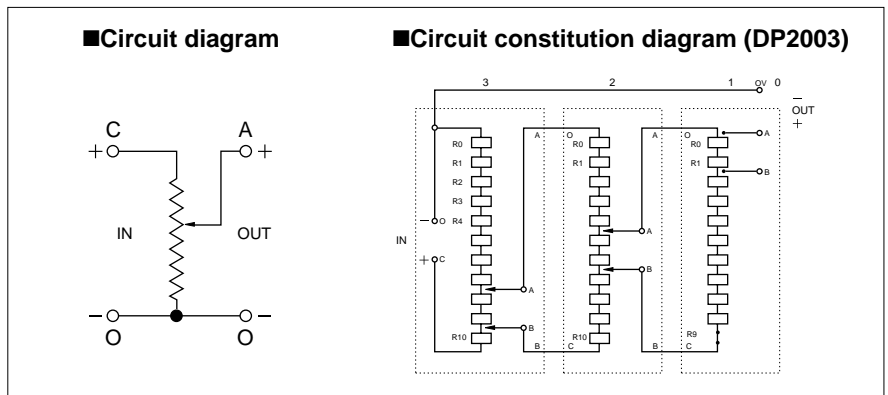
Measuring Instruments, Temperature Controlling Apparatuses, Machine Tool Controlling Devices, Various kinds of Controlling Devices.

MODEL DP•MR Series

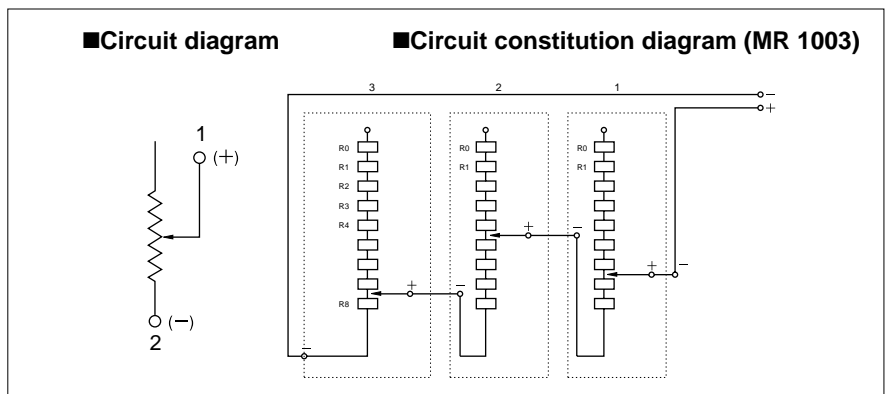
● Standard Dimensions



● DP Type



● MR Type



● General Specifications

Accuracy of Resistor: ±0.1%

Temperature Coefficient:
Note: As for models DP2003, 5kΩ, MR1003, 5kΩ, DP2004, 10kΩ and MR1004, 10kΩ, accuracy of resistor and temperature coefficient of those items should read ±0.5% and ±100 p.p.m./°C, respectively.

Contact Resistance Value: ±50p.p.m./°C

Power Rating: Below 120mΩ/1 digit
1.2W for model DP

Max. Working Voltage: 0.125W/step for model MR

Dielectric Strength: 50V

Operating Force of Switch: 500V.A.C./1 minute

Operating Temperature Range: Approx. 7N (700gf.)

Life Expectancy: -20°C ~ +70°C

Mass: 1,000,000 operations
Approx. 5g/1 digit unit