

Shaft Coupling



Z 103 g 2.5

Z 103 g 3

Fork coupling with low backlash for shaft diameters 2.5 mm or 3 mm. Stainless steel, ground driving pin. Mounting with 1 fillister head screw M 2 each with hexagon socket. Allen key size 1.5 is supplied.



Z 104 g 6

Fork coupling with low backlash for shaft diameter 6 mm. Stainless steel, ground driving pin. Mounting with 1 fillister head screw M 3 each with hexagon socket. Allen key size 1.5 is supplied.



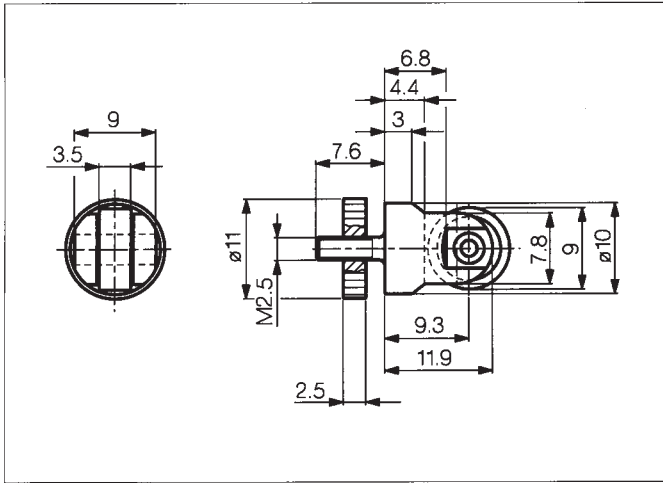
Z 105 g 6

Backlash-free fork coupling for shaft diameter 6 mm. Black anodized aluminium, driving pin and spring hardened. Clamp mounting with 1 fillister head screw M 3 each with hexagon socket. Maximum torque 5 Ncm. Allen key size 2.5 is supplied.



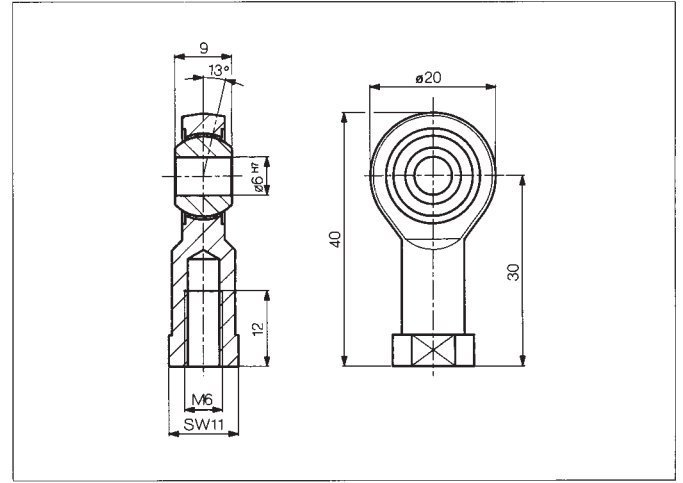
Z 110 g 10

Backlash-free coupling for shaft diameter 10 mm. Black anodized aluminium, driving pin and spring in phosphor bronze. Mounting with 2 threaded pins m 4 each with hexagon socket. Maximum torque 25 Ncm.



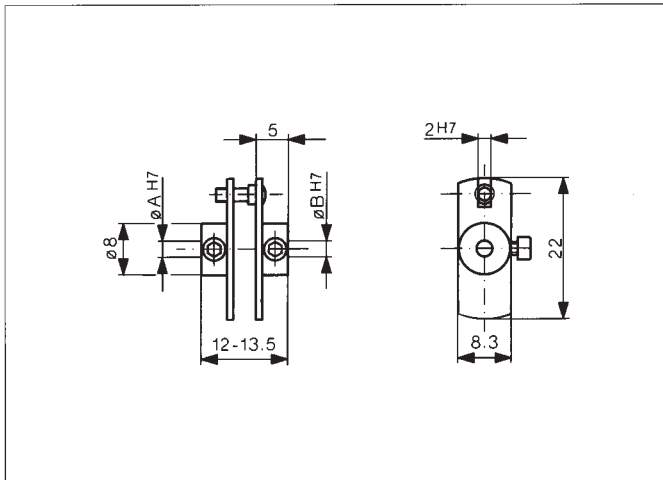
Type

Z 50



Type

Z 60



Type

Z 103 g 2,5

øA

2,5

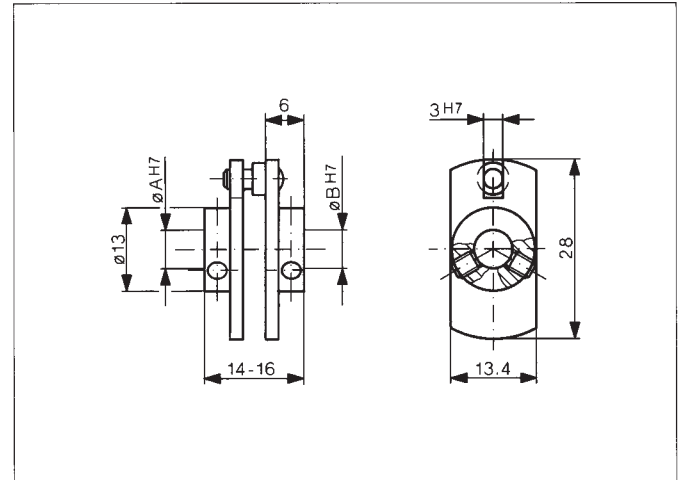
øB

2,5

Z 103 g 3

3

3



Type

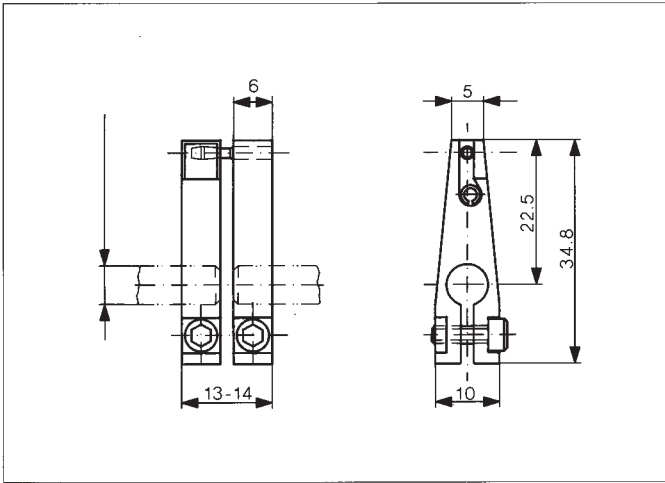
Z 104 g 6

øA

6

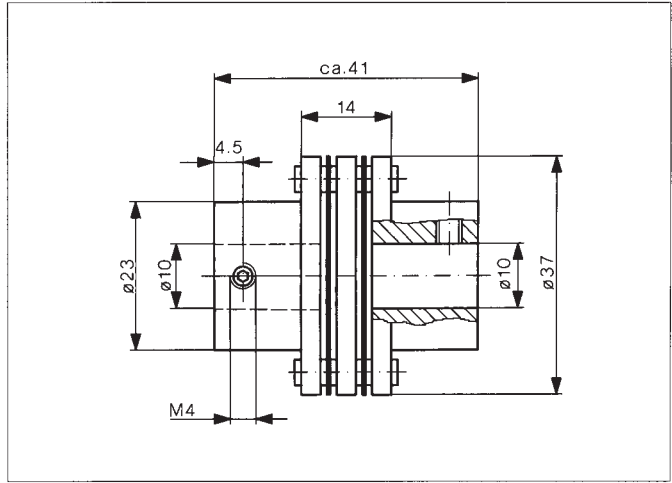
øB

6



Type

Z 105 g 6



Type

Z 110 g 10

Order designations

Type	Art.no.
Z 50	005678
Z 60	058100
Z 103 g 2,5	005684
Z 103 g 3	005687
Z 104 g 6	005690
Z 105 g 6	005691
Z 110 g 10	005692