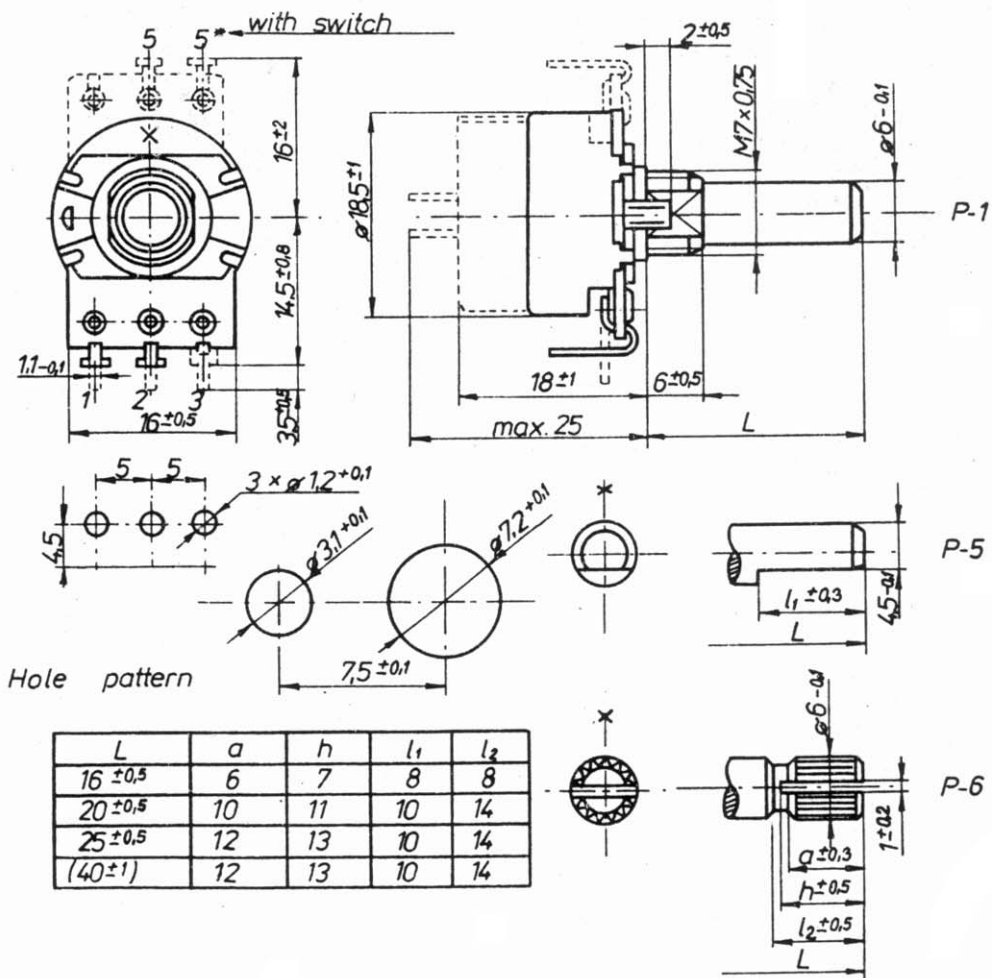


# SINGLE CARBON FILM-TYPE POTENTIOMETERS PR 18, with $\phi$ 6 mm spindle

- PR 185 - with solder lug terminals, without switch
- PRP 185 - with printed circuit terminals, without switch
- PRT 185 - with solder lug terminals and a tap
- PRPT 185 - with printed circuit terminals and a tap
- PR 185 s 56 - with solder lug terminals and single pole switch
- PRT 185 s 56- with solder lug terminals, a tap and single pole switch



PRPIT| 185s56|

Elementy do wyczerpania magazynów naszych i naszych dostawców.

W przypadku braku możliwości dostarczenia oryginału proponujemy odpowiedniki lub elementy podobne.

Dystrybutor: MEDITRONIK Sp. z o.o., ul. Wiertnicza 129, 02-952 Warszawa, tel. (+48 22) 651-72-42 wew. 108, fax (+48 22) 651-72-46

http://www.meditronik.com.pl e-mail: office@meditronik.com.pl

Climatic category	25/070/10
Rated power $P_n$ :	
resistance law A	- 0.2 W
resistance law B	- 0.1 W
Limiting voltage	- 200 V
Category power	- 25 % $P_n$
Rated resistances $R_n$ :	according to the series 1 - 2.2 - 4.7 - 10 etc.
Resistance range :	
characteristic A	- 100 om - 2.2 Mom
characteristic B	- 1 kom - 1 Mom
Resistance tolerance :	$\pm 20\%$ for $R_n \leq 470$ kom
	$\pm 30\%$ for $R_n > 1$ Mom
Single pole switch	- 16 V , 1 A D.C.