

7/8" (22mm) Conductive Plastic Potentiometer



FEATURES

- 7/8" Diameter Single Turn
- Compact Size, Advanced Design Technology
- Offers a Cost Effective Solution to your Potentiometer Requirements

ELECTRICAL SPECIFICATIONS		
PARAMETER		
Resistance	Standard range, 1KΩ to 50KΩ	
Tolerance	STANDARD ± 20%	SPECIAL TO ± 10%
Linearity (Independent)	STANDARD ± 2.0%	SPECIAL TO ± 0.25%
Output Smoothness	0.1% maximum	
TCR	± 600ppm/°C maximum	
Power Rating	1.0 watt at 70°C Derate to 0 watt at 125°C	
Electrical Travel	340° ± 3°	
End Voltage	0.5% maximum	
Dielectric Withstanding Voltage	1,000V _{RMS} , 50Hz	
Insulation Resistance	1000MΩ, 500VDC	

MECHANICAL SPECIFICATIONS	
PARAMETER	
Rotation	360° continuous (optional mechanical stops 340° ± 3°)
Bearing Type Bushing	Sleeve Bearing
Operating Torque Maximum	Starting and running 3.68mNm (0.5 oz - in)
Shaft Tolerance Maximum	
Runout	0.13mm
End Play	0.25mm
Radial Play	0.13mm
Weight	17.5gms (0.62 oz)

ORDERING INFORMATION					
357	0	0	0 P 22	XXX	
MODEL	FEATURES	RT & INDEPENDENT LINEARITY	SHAFT TYPE	STANDARD VALUES Ω	
	0 Non turn pin & continuous rotation	0 = 20% Rt Tol., 2% 1 = 20% Rt Tol., 1%	Shaft diameter - 0 = 6.0 mm or 1 = 6.35 (1/4")	RES CODE	VALUE
	1 No non turn pin & continuous rotation	2 = 10% Rt Tol., 2% 3 = 10% Rt Tol., 1%	Shaft type - P = plain S = slotted FMF (from Mounting face)	102	1K
	2 Non turn pin, with stops on rotation		Range from 12mm to 75mm in 1mm increments	202	2K
	3 No non turn pin with stops on rotation			502	5K
				103	10K
				203	20K
				503	50K

Example: **357 - 0 - 0 - 0P22 - XXX**

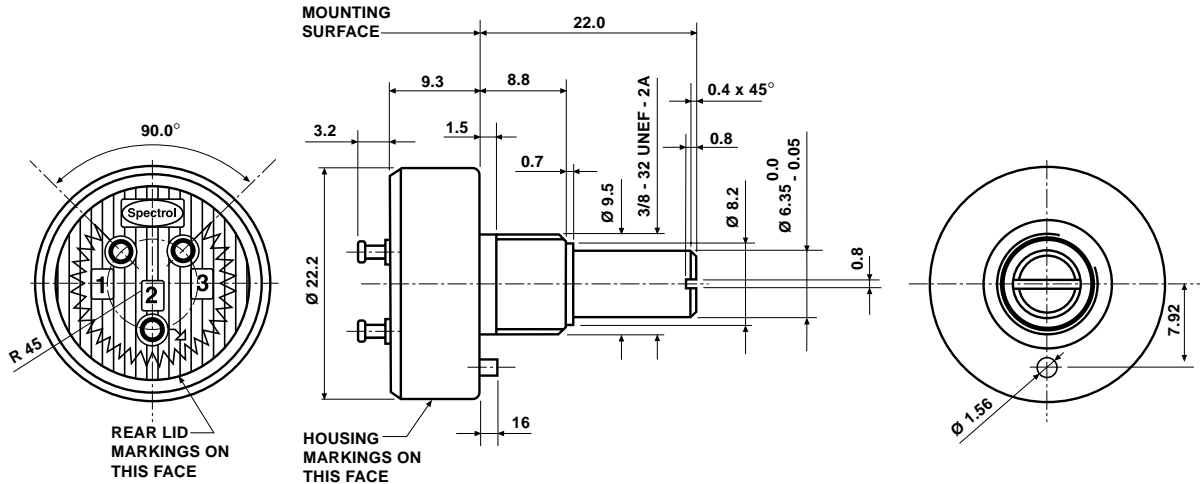
Model 357

Spectrol

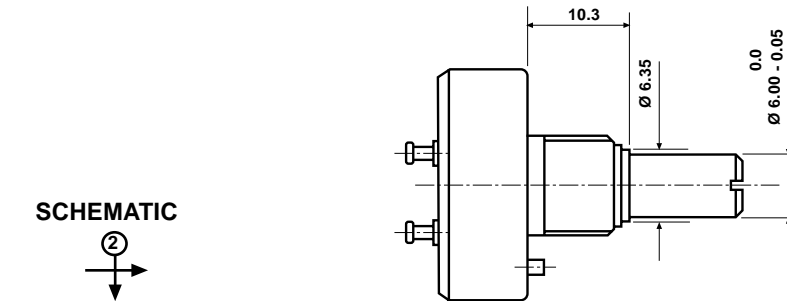
7/8" (22mm) Conductive Plastic Potentiometer

DIMENSIONS in millimeters

Ø 6.35mm SHAFT VERSION



Ø 6.0mm SHAFT VARIATION



TOLERANCES: LINEAR ± 0.50
ANGULAR $\pm 2^\circ$

ENVIRONMENTAL SPECIFICATIONS	
Moisture Resistant	Yes
Vibration	15g, 10 to 2,000Hz
Shock	50g
Load Life	1000 hours
Temperature Range	- 55°C to + 125 °C
Rotational Life (Mechanical)	10,000,000 Shaft Revolutions
Rotational Life (Electrical)	5,000,000 Shaft Revolutions
Materials:	
Housing:	Plastic, glass filled (black)
Bushing:	Brass, nickel plated
Rear Lid:	Alumina
Shaft:	Stainless steel
Terminals:	Turret type, solder plated
Bushing Mount Hardware	
Lockwasher Internal Tooth:	Steel, nickel plated
Panel Nut:	Brass, nickel plated

MARKING	
Unit Identification	Manufacturer's name and model number, resistance value and tolerance, linearity specification date code and terminal identification

RESISTANCE VALUES	
Ohms	1K, 2K, 5K, 10K, 20K, 50K