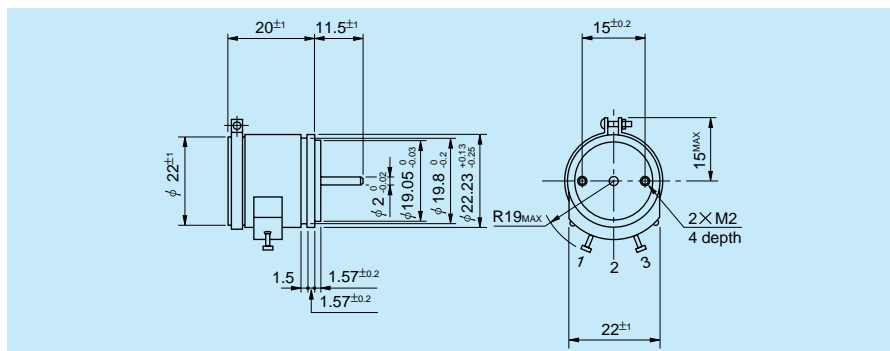


● Standard Dimensions



● General Specifications

<b>Standard Resistance Range:</b>	100Ω to 20kΩ	≥2kΩ	Below 0.1mN•m (1.0gf•cm) (within electrical travel)
<b>Total Resistance Tolerance:</b>	Standard Class ±3% (H) Precision Class ±1% (F)		
<b>Independent Linearity Tolerance:</b>	Standard Class ±0.5% Precision Class ±0.25%		
<b>Power Rating:</b>	0.3W		
<b>Noise:</b>	Below 100Ω E.N.R.		
<b>Electrical Travel:</b>	355° ±5°		
<b>Mechanical Travel:</b>	360° (Endless)		
<b>Insulation Resistance:</b>	Over 100MΩ at 1,000V.D.C.		
<b>Dielectric Strength:</b>	1 minute at 1,000V.A.C.		
<b>Starting Torque:</b>	<2kΩ		
	Below 0.15mN•m (1.5gf•cm) (within electrical travel)		
		<b>Max. Working Voltage:</b>	80V
		<b>Resist. Temperature Coefficient of Wire:</b>	±20p.p.m./°C
		<b>Operating Temperature Range:</b>	-30°C ~ +85°C
		<b>Life Expectancy, Shaft Revolutions:</b>	100,000
		<b>Mass:</b>	Approx. 20g

