

The Bourns H-357 KNOBPOT® Digital Dial features large, easy-to-read numbers for minimum operator error. This unit combines long life, accuracy and low cost in an attractive design.

This functional combination integrates with multi-turn precision potentiometers and other rotating devices.

Available in brake or bezel versions.

Typical applications include instrumentation, process control, data processing, and communications.



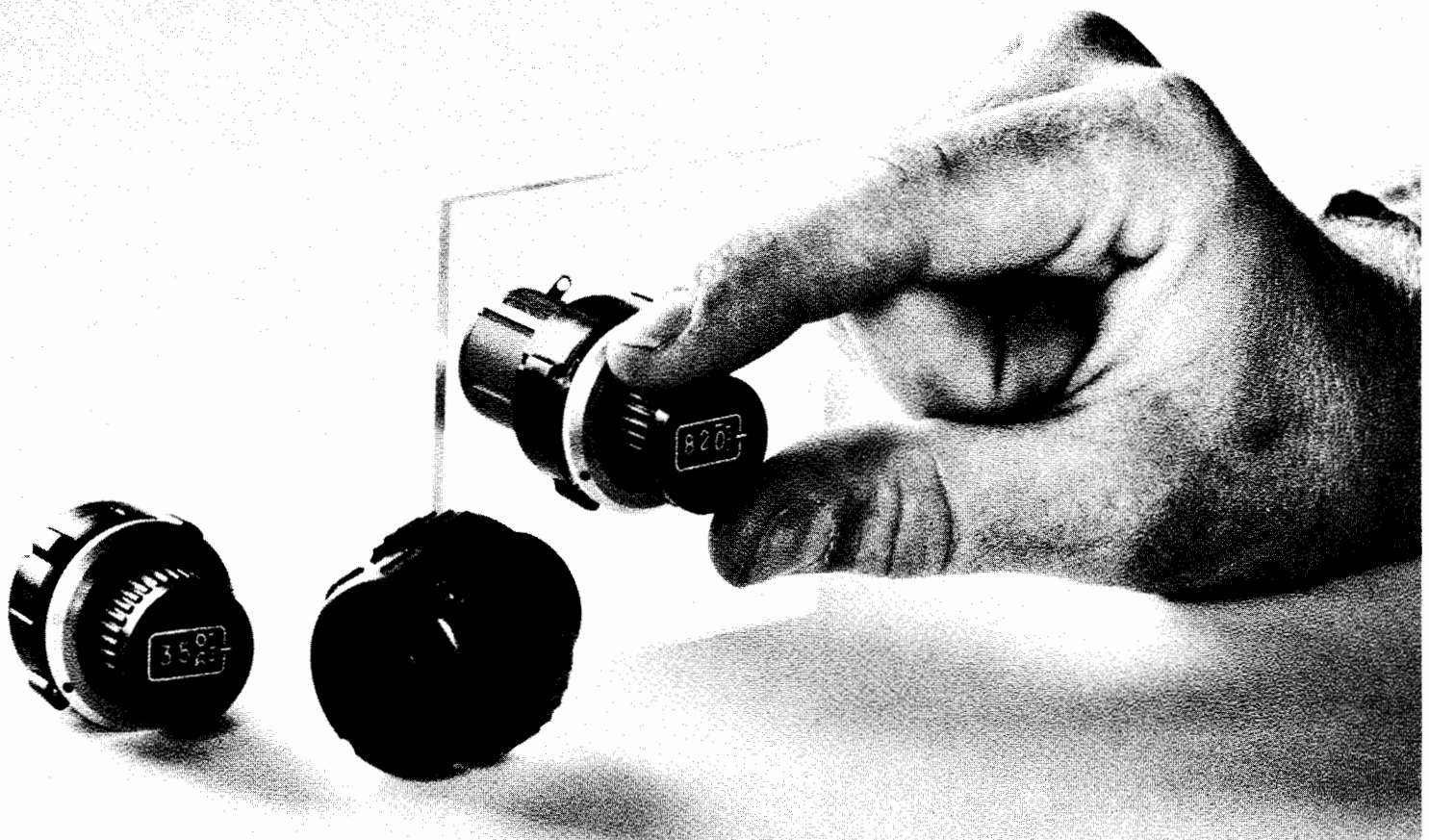
MODEL H-357
KNOBPOT® DIGITAL DIAL
7/8" DIAMETER, 10 TURN

FEATURES

- Industrial Grade low cost digital readout
- Recessed lens offers protection from breakage
- Applying brake will not cause change of dial setting
- Available for 1/4" shaft diameter and 3/8" diameter bushing
- Integral knob and digital readout

OBSOLETE

PART NUMBER	BRAKE	FITS SHAFT DIAMETER
H-357-1	No	.250
H-357-2	Yes	.250



MECHANICAL AND PHYSICAL CHARACTERISTICS

Readout Accuracy 0.1%
 Readout Range 000 to 999
 Readability— Ten Turns 1 part in 2,000
 Dial Torque — Operating 0.75 to 5 oz.-in. maximum
 With brake engaged 10 oz.-in. minimum
 Weight Approximately .8 oz.
 Shaft Set Screw Torque 20-30 oz.-in.

ENVIRONMENTAL CHARACTERISTICS

Operating Temperature Range -15°C to +85°C
 Mechanical Life 100,000 cycles
 Humidity MIL-STD-202, Method 103

SHAFT AND BUSHING REQUIREMENTS

Shaft from Mounting Surface625 minimum
 .842 maximum
 Bushing from Mounting Surface342 maximum

BASIC PRICES*

1-9	10-24	25-49	50-99	100-249
7.25	6.95	6.50	6.30	5.95

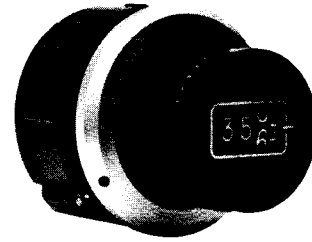
For larger quantity pricing or information about Bourns many other dial and potentiometer models, contact your local Bourns representative or distributor . . . or contact the factory direct.

METRIC CONVERSION

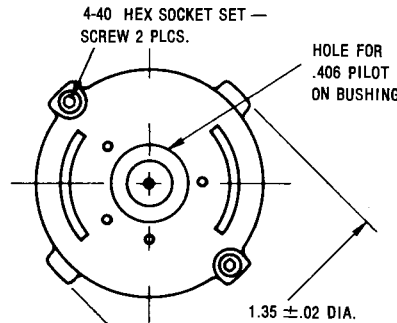
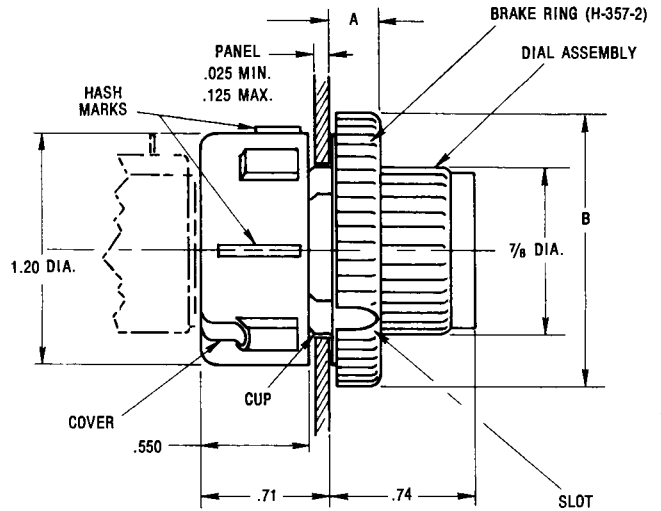
INCH	MM	INCH	MM
.005	0,127	.550	13,970
.015	0,381	.625 (5/8")	15,875
.020	0,508	.710	18,034
.025	0,635	.740	18,796
.125	3,175	.842	21,387
.129	3,277	.875 (7/8")	22,225
.150	3,810	1.000	25,400
.200	5,080	1.062	26,975
.312	7,925	1.200	30,480
.342	8,687	1.240	31,496
.375 (3/8")	9,525	1.350	34,290
.406	10,312	1.410	35,814
.498	12,649		



TRIMPOT PRODUCTS DIVISION
1200 COLUMBIA AVENUE
RIVERSIDE, CALIFORNIA 92507
PHONE 714 684-1700

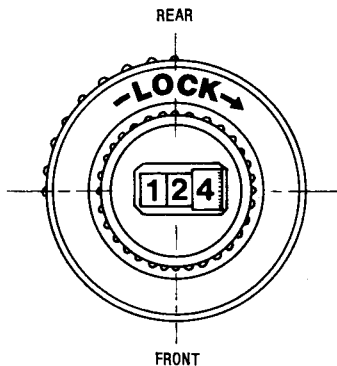
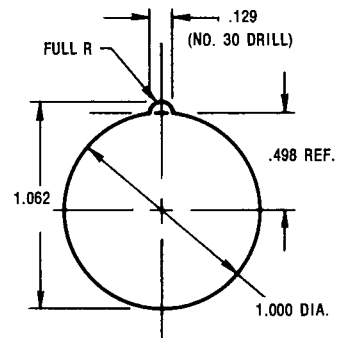


ACTUAL SIZE
(H-357-1)



	BEZEL	BRAKE
DIM.	H-357-1	H-357-2
A	.15	.28
B	1.24	1.41

SUGGESTED PANEL LAYOUT



TOLERANCES: Except where noted —
 .XX = ± .015
 .XXX = ± .005

Specifications subject to change without notice.

H-357 ASSEMBLY INSTRUCTIONS

1. Assemble pot bushing to cover hole
2. Insert cup through panel
3. Assemble cover to cup with 1/4 turn
4. Tighten the two cover set screws
5. Assemble brake ring to cup as applicable
6. Place dial assembly on pot shaft
7. Tighten two set screws against pot shaft

NOTE: COMPLETE MOUNTING INSTRUCTIONS SHIPPED WITH EACH UNIT.