

BOURNS®

Features

- No backlash
- Compact - requires minimal panel space (22.2 mm diameter requirement)
- For use with precision potentiometers or other rotating devices, up to 15 turns
- Designed for metal shaft
- High Force "Click Brake"
- Available in three versions - black on satin chrome background, white on black background or black on polished chrome background

H-22 / H-23 Turns-Counting Dials

Mechanical and Physical Characteristics

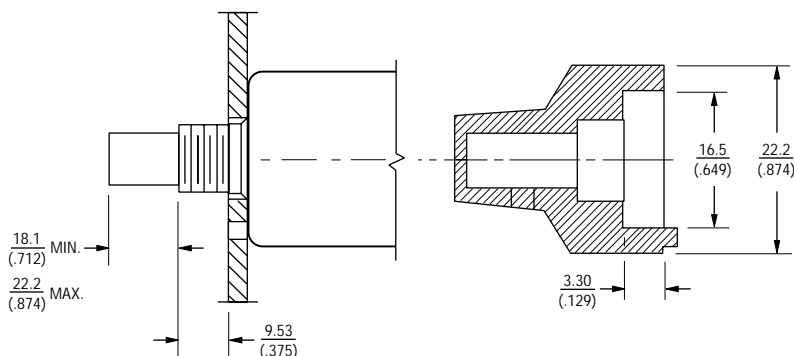
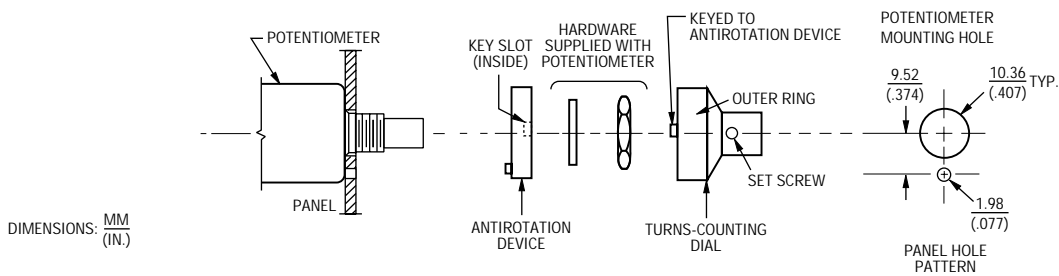
| | |
|-----------------------------------|--|
| Number of Turns | 0 to 15 |
| Dial Divisions | 50 per turn |
| Readability - Over 10 Turns..... | 2 parts in 1000 |
| Torque With Brake Engaged | 5 oz.-in. (350 g-cm) minimum |
| Markings..... | Black on satin chrome background, white on black background or black on polished chrome background |
| Locking Brake..... | Yes |
| Weight..... | 15 grams (5.3 oz.) |
| Set Screw | UNC N2-56, one included |
| Set Screw Tightening Torque | 16.94 N-cm (1.5 lbs.-in.) minimum |
| Hex Key Size | 0.05 in. hex |

Shaft and Bushing Requirements

| | |
|--------------------------------------|-----------------------------|
| Shaft Diameter Requirements | Refer to chart below |
| Shaft Extension Beyond Panel | 18.1 mm (0.712 in.) minimum |
| | 22.2 mm (0.875 in.) maximum |
| Bushing Extension Beyond Panel | 9.53 mm (0.375 in.) maximum |

H-22 / H-23 MOUNTING INSTRUCTIONS

1. Insert potentiometer in panel.
2. Install anti-rotation device using hardware supplied with potentiometer.
3. Turn potentiometer shaft counterclockwise to minimum resistance or voltage ratio.
4. Set the dial to "0.0" and brake on.
5. Insert the dial on the potentiometer shaft lightly against the panel.
6. Tighten set screw to potentiometer shaft.



How To Order

| Part Number | Accepts Shaft Diameter | Finish |
|-------------|------------------------|-----------------|
| H-22-6A | 6.35 mm (.250) | Satin chrome |
| H-22-6M | 6 mm (.236) | Satin chrome |
| H-22-3A | 3.17 mm (.124) | Satin chrome |
| H-22-6A-B | 6.35 mm (.250) | All black |
| H-23-6A | 6.35 mm (.250) | Polished chrome |
| H-23-6M | 6 mm (.236) | Polished chrome |
| H-23-3A | 3.17 mm (.124) | Polished chrome |