

BOURNS®

Features

- Compatible with most surface mount soldering processes
- Compatible with popular vacuum pick-and-place equipment
- J-hook, gull-wing & pinned configurations
- Sealed for board washing

Applications

- Camcorders
- Remote controls
- Security systems
- Electronic games

7914 4mm SMD & Through-hole Sealed Key Switch

Electrical Characteristics

Contact Rating

Maximum Current100mA max.
 Maximum Voltage24V
 Contact Resistance
100 milliohms max.
 Insulation Resistance
100 megohms min. (DC500V)
 Dielectric Strength250 VAC

General Characteristics

Switch TypeNormally open
 Operating Temperature Range
-55°C to +125°C
 Storage Temperature Range
-55°C to +125°C
 Seal Test85°C Fluorinert*
 Vibration20G
 Shock100G

Mechanical Characteristics

Pushover Strength (S Style)
2 kilograms minimum
 Cycle life, loaded100,000 actuations
 Contact resistance
100 milliohms max.
 MarkingManufacturer's code
 and date code

Packaging Options

J, G & Z100 pcs./tube
 H100 pcs./tube

How to Order

7914 G - 2 - 000 E

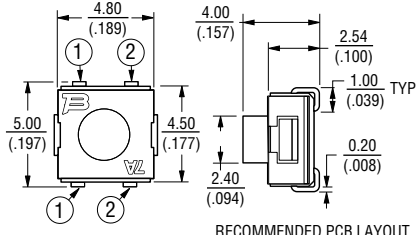
Model _____
 Terminal _____
 Switch Type _____
 001 = N.O. Optional Contacts Au
 002 = Std. N.O. Contacts Ag
 Product Code for Pin Styles J, G and H _____
 000 = 4.0mm Height FMS
 024 = 2.4mm Height (Flush Actuator) FMS
 032 = 3.2mm Height FMS
 Embossed Tape _____
 (Option Applicable to Styles J, G and Z only -
 Consult Factory. Omit for Tube packaging.)

DIMENSIONS ARE: METRIC
 (INCHES)

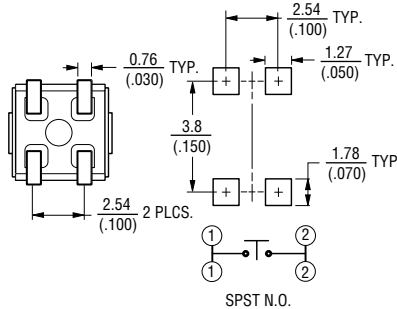
TOLERANCES: ±.2 EXCEPT WHERE NOTED.

Product Dimensions

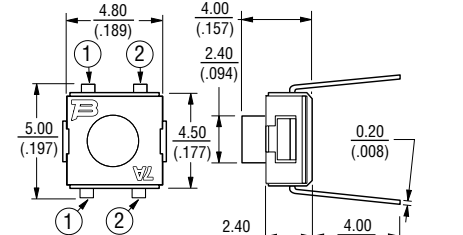
7914J



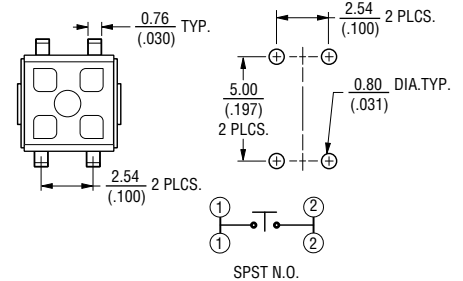
RECOMMENDED PCB LAYOUT



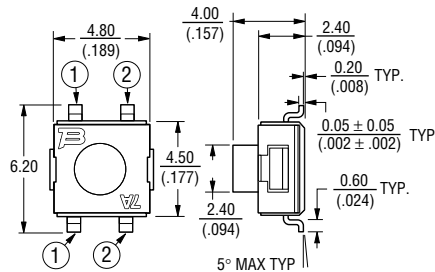
7914H



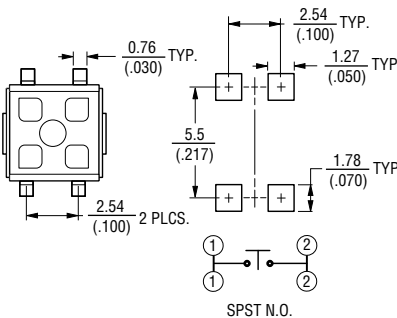
RECOMMENDED PCB LAYOUT



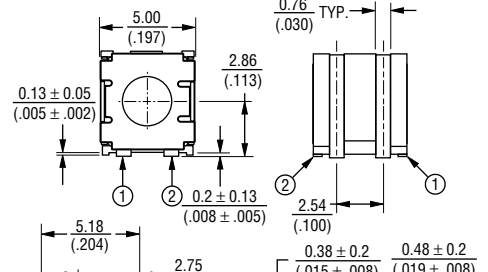
7914G



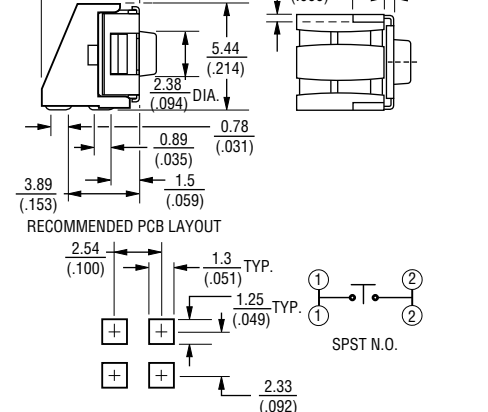
RECOMMENDED PCB LAYOUT



7914Z



RECOMMENDED PCB LAYOUT



Additional Features

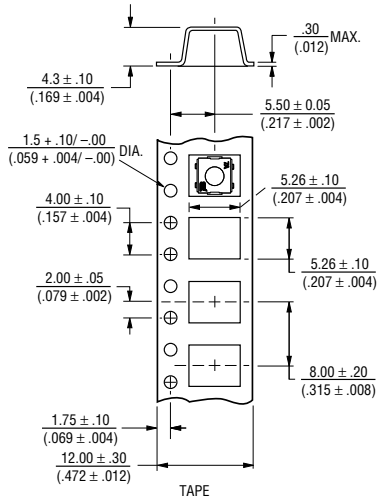
- Meets EIA/EIAJ/IPC/VRCI SMD standard outline dimensions
- Top or side actuated

7914 4mm SMD & Through-hole Sealed Key Switch

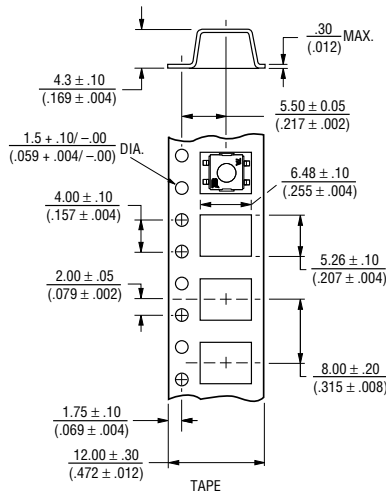
BOURNS®

Packaging Specifications

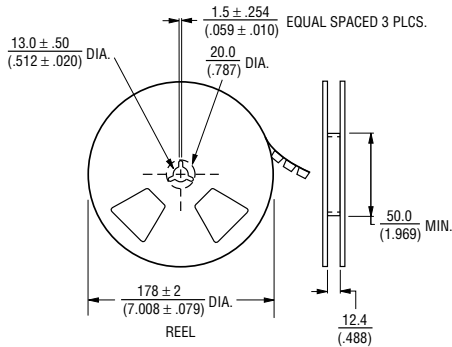
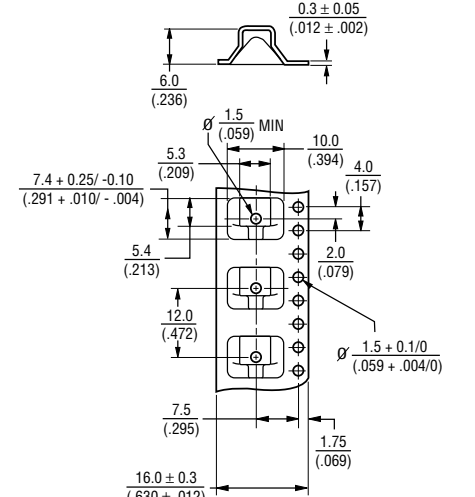
7914J



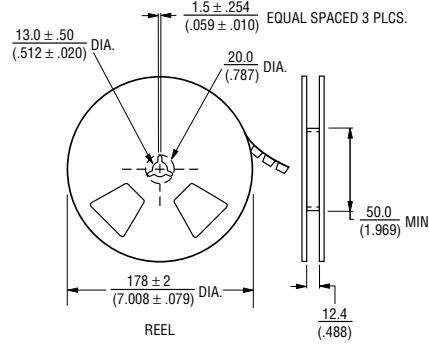
7914G



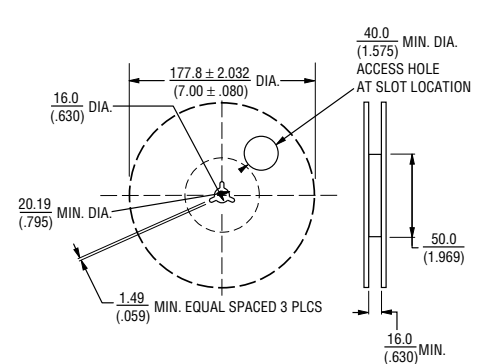
7914Z



Meets EIA specification 481.

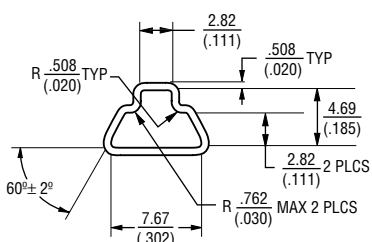


Meets EIA specification 481.



7914Z

7914J/G



7914H

