



## Features

- Bushing mount
- Excellent resolution
- High rotational life
- Non-standard features and specifications available

**BOURNS®**

## 6637 - Precision Potentiometer

### Electrical Characteristics<sup>1</sup>

Standard Resistance Range	1 K to 100 K ohms
Total Resistance Tolerance	±10 %
Independent Linearity	±1 %
Effective Electrical Angle	340° ±3°
End Voltage	0.5 % maximum
Output Smoothness	0.1 % maximum
Dielectric Withstanding Voltage (MIL-STD-202, Method 301)	
Sea Level	750 VAC minimum
Power Rating (Voltage Limited By Power Dissipation or 300 VAC, Whichever is Less)	
+70 °C	1 watt
+125 °C	0 watt
Insulation Resistance (500 VDC)	1,000 megohms minimum
Resolution	Essentially infinite

### Environmental Characteristics<sup>1</sup>

Operating Temperature Range	+1 °C to +125 °C
Storage Temperature Range	-65 °C to +125 °C
Temperature Coefficient Over Storage Temperature Range	±500 ppm/°C maximum
Vibration	15 G
Wiper Bounce	0.1 millisecond maximum
Total Resistance Shift	±5 % maximum
Voltage Ratio Shift	±0.5 % maximum
Shock	50 G
Wiper Bounce	0.1 millisecond maximum
Total Resistance Shift	±5 % maximum
Voltage Ratio Shift	±0.5 % maximum
Load Life	1,000 hours, 1 watt
Total Resistance Shift	±10 % maximum
Rotational Life (No Load)	10,000,000 shaft revolutions
Total Resistance Shift	±10 % maximum
Moisture Resistance (MIL-STD-202, Method 106)	
Total Resistance Shift	±15 % maximum
IP Rating	IP 40

### Mechanical Characteristics<sup>1</sup>

Mechanical Angle	Continuous
Torque (Starting & Running)	0.40 N-cm (0.5 oz.-in.) maximum
Mounting	170-200 N-cm (15-18 lb.-in.) maximum
Shaft Runout	0.025 mm (0.001 in.) T.I.R.
Shaft End Play	0.13 mm (0.005 in.) T.I.R.
Shaft Radial Play	0.13 mm (0.005 in.) T.I.R.
Backlash	0.1 ° maximum
Weight	16 gm
Terminals	Rear turret type
Soldering Condition	Recommended hand soldering using Sn95/Ag5 no clean solder, 0.025 " wire diameter. Maximum temperature 399 °C (750 °F) for 3 seconds. No wash process to be used with no clean flux.
Marking	Manufacturer's name and part number, resistance value and tolerance, linearity tolerance, wiring diagram, and date code.
Ganging (Multiple Section Potentiometers)	1 up maximum
Hardware	One lockwasher (H-37-2) and one mounting nut (H-38-2) is shipped with each potentiometer.

<sup>1</sup>At room ambient: +25 °C nominal and 50 % relative humidity, except as noted.

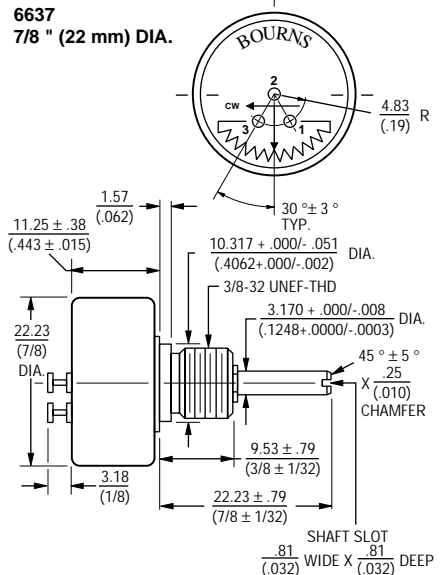
### Recommended Part Numbers

Part Numbers	Resistance (Ω)
<b>6637S-1-102</b>	<b>1,000</b>
<b>6637S-1-502</b>	<b>5,000</b>
<b>6637S-1-103</b>	<b>10,000</b>

**BOLDFACE LISTINGS ARE IN STOCK AND READILY AVAILABLE THROUGH DISTRIBUTION.**

FOR OTHER OPTIONS CONSULT FACTORY.

### Product Dimensions



NOTE: SHAFT SUPPORTED BY FRONT SLEEVE BEARING.

