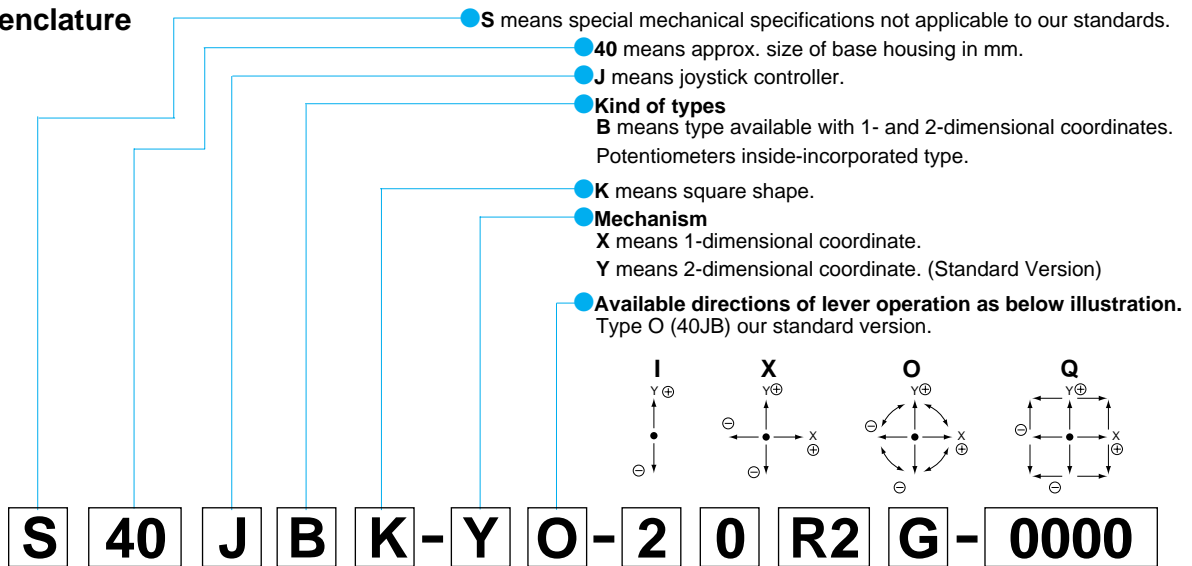


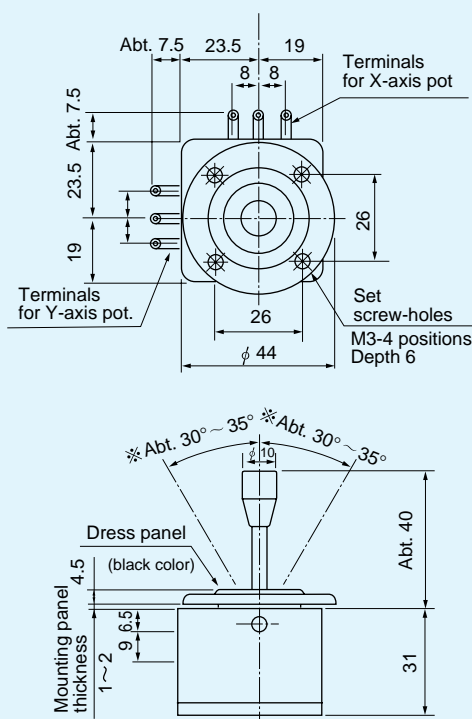
40JB

Nomenclature

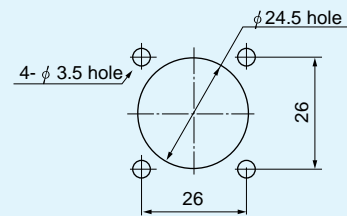


- Number of potentiometers to be mounted.**
- 1...1 potentiometer mounted.
 - 2...2 potentiometers mounted.
- Number of switches to be mounted.**
- 0...no switch mounted. 1...1 switch mounted.
- With spring return device :**
- R1 : with spring return device for 1-dimensional coordinate.
 - R2 : with spring return device for 2-dimensional coordinate.
- Mounting accessories :**
- G : with dust proof rubber cover.
 - P : with sub-panel for mounting.
- Special part number basing on customer's specifications with 4 digits number.**

Standard Dimensions



Panel Arrangements



- Note : 1) In case of type Q, the angle of mark"※" becomes 360° square-directionally and $\pm 20^\circ \sim \pm 25^\circ$ from center position.
 2) 4 pcs. of mounting screws (M3 \times 8) are attached.

(Unit : mm)



40JBK-YO-20
(standard)
(2-dimensional coordinate type)



40JBK-YO-20R2G
(2-dimensional coordinate type
with dust-proof rubber cover
and spring return device)

STANDARD SPECIFICATIONS

Model 40JB Series
(Potentiometer inside-incorporated type)

●Mechanical Performances

Controlling range of operating lever :

- 2-dimensional coordinate type
Omni-directionally approx. $\pm 30^\circ \sim \pm 35^\circ$ from center position.

Operating force :

- Standard : Approx. 0.2 ~ 0.6N (20 ~ 60gf.)
- High torque type : Approx. 0.7 ~ 1.5N (70 ~ 150gf.)
- With spring return device (omni-directional type) : Approx. 0.6 ~ 3N (60 ~ 300gf.)

Operating temperature range : $-20^\circ\text{C} \sim +65^\circ\text{C}$

Vibration : 10 ~ 55Hz 98m/s² (10G)

Shock : 294m/s² (30G)

Life expectancy : Approx. 5,000,000 operations

Mass : Without spring return device : Approx. 160g
With spring return device : Approx. 180g

●Electrical Performances

Potentiometers mounted : Special conductive plastic resistive element exclusively used for 40JB series is incorporated.

Total resistance value : $10\text{k}\Omega \pm 15\%$

Rating : 0.2W

Electrical rotating angle : Approx. 60°

Independent linearity tolerance $\pm 3\%$

[All terminals can be fitted with AMP110 series fasten receptacle (2.8×0.5mm) or equivalents]

Output smoothness : Below 0.2% against input voltage

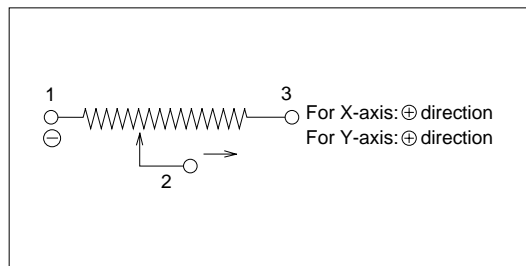
Contact resistance variation : Below 5% C.R.V.

Resolution : Essentially infinite

Dielectric strength : 1 minute at 500V.A.C.

Insulation resistance : Over 1,000M Ω at 500V. D.C.

●Terminal Connection Diagram



●Special Specifications Available

Please see page 41, a table of "Standard and Special Specifications Available".