

Features

- Multiturn / Cermet / Industrial / Sealed
- Optional panel mount available (see page 73 for details)
- Patent #4427966 drive mechanism
- Thin body profile

3292 - 3/8" Square Trimming Potentiometer

Electrical Characteristics

Standard Resistance Range10 to 1 megohm
 (see standard resistance table)
 Resistance Tolerance±10% std.
 (tighter tolerance available)
 Absolute Minimum Resistance1% or 2 ohms max.
 (whichever is greater)
 Contact Resistance Variation
 3292.....1.0% or 3 ohms max.
 (whichever is greater)
 Adjustability
 Voltage.....±0.01%
 Resistance.....±0.05%
 Resolution.....Infinite
 Insulation Resistance500 vdc.
 1,000 megohms min.
 Dielectric Strength
 Sea Level.....1,000 vac
 80,000 Feet.....400 vac
 Effective Travel.....25 turns nom.

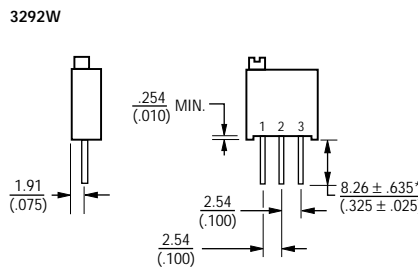
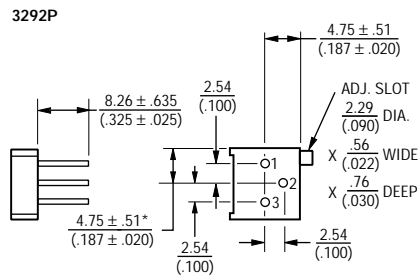
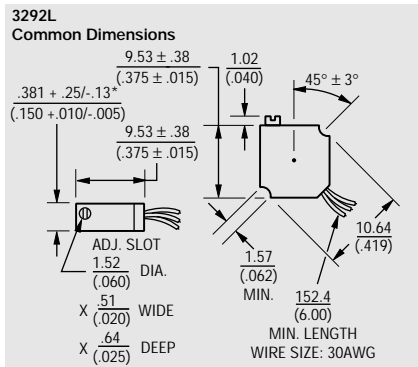
Environmental Characteristics

Power Rating (400 volts max.)
 85°C0.5 watt
 150°C0 watt
 Temperature Range.....-65°C to +150°C
 Temperature Coefficient±100ppm/°C
 Seal Test85°C Fluorinert*
 (pin styles only)
 Humidity.....MIL-STD-202 Method 103
 96 hours (1% ΔTR, 100 Megohms IR)
 Vibration.....30G (1% ΔTR; 1% ΔVR)
 Shock.....100G (1% ΔTR; 1% ΔVR)
 Load Life ..1,000 hours 0.5 watt @ 85°C
 (2% ΔTR; 3% or 3 ohms, whichever is greater, CRV)
 Rotational Life200 cycles
 (2% ΔTR; 3% or 3 ohms, whichever is greater, CRV)

Physical Characteristics

Torque5.0 oz-in. max.
 Mechanical Stops.....Wiper idles
 Terminals
Solderable printed circuit pins
 Weight0.025 oz.
 Machine Screw Mounting
 Torque12 oz-in. max.
 Marking
Manufacturer's trademark,
 resistance code, wiring diagram, date
 code, manufacturer's model number
 and style
 WiperPositioned at 50% nominal
 Flammability.....U.L. 94V-0
 Standard Packaging
 P,W & X Styles.....50 pcs. per tube
 L Style50 pcs. per bag
 Adjustment ToolH-90

Specifications are subject to change without notice.

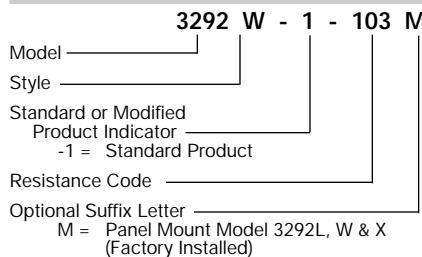


*Common dimensions

TOLERANCES: ± 0.25 (.010) EXCEPT WHERE NOTED

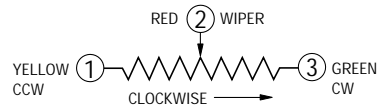
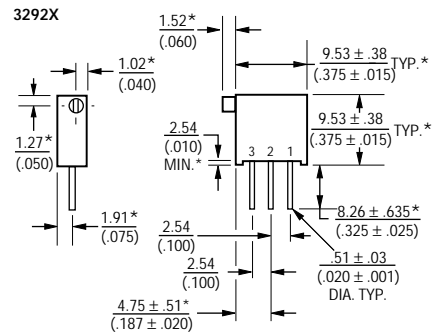
DIMENSIONS ARE: METRIC (INCHES)

How To Order



Consult factory for other available options.

*"FLUORINERT" IS A REGISTERED TRADEMARK OF 3M CO.



Standard Resistance Table

Resistance (Ohms)	Resistance Code
10	100
20	200
50	500
100	101
200	201
500	501
1,000	102
2,000	202
5,000	502
10,000	103
20,000	203
25,000	253
50,000	503
100,000	104
200,000	204
250,000	254
500,000	504
1,000,000	105

Popular values listed in boldface. Special resistances available.

SHADED AREAS TYPICALLY NOT STOCKED BY DISTRIBUTORS AND NOT RECOMMENDED FOR NEW DESIGNS.