

Features

- Compact
- Lightweight
- Long life
- Infinite resolution
- Free shaft rotation
- AC or DC
- Shaft options available
- Flexible wire leads
- Economical

3048 Linear Motion Potentiometer

Specifications*

Standard Electrical Travel
0.2, 0.3, 0.4, 0.5 in.
 (5.08, 7.62, 10.16, 12.70mm)

Standard Resistances
1K ohms to 1 megohm (±20%)

Independent Linearity±5%

ResolutionInfinite

Power Rating @ 70°C (158°F)
 Range 2, 30.12 watt
 Range 4, 50.25 watt

Operating Temperature Range
-55°C to +125°C

Temperature Coefficient1000 PPM/°C

Insulation Resistance.....50 megohms
 @ 500 VDC

BacklashNegligible

Shaft Actuating Force4 oz. max.
 @ 70°F

Life500,000 cycles

Shock50G for 6msec

Vibration20G, 20-20,000 Hz

MarkingManufacturer's trademark,
 resistance code, wiring diagram,
 date code, manufacturer's model
 number and style

Specifications are typical. Contact factory for special requirements.
 *Specifications applicable from 5% to 95% of electrical travel.

How to Order

Model 3048 L - 2 - 502

Style _____

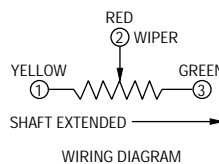
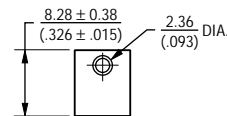
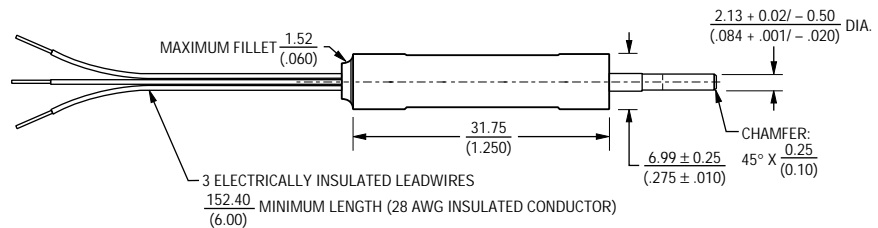
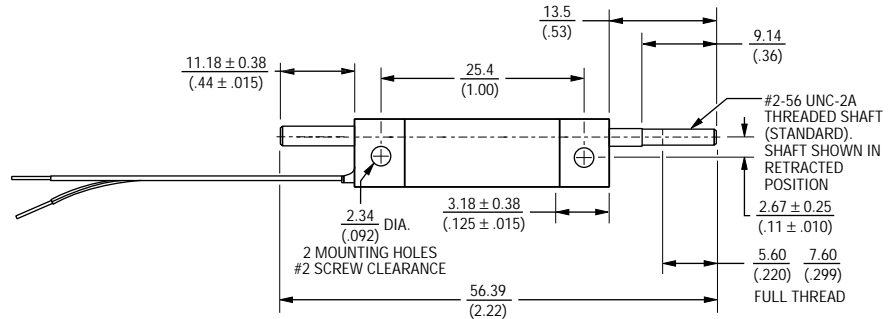
Range (Travel) _____
 2 = 0.2" (5.08mm)
 3 = 0.3" (7.62mm)
 4 = 0.4" (10.16mm)
 5 = 0.5" (12.70mm)

Resistance Value _____

Standard Resistance Table

Resistance (Ohms)	Resistance Code
1,000	102
2,500	252
5,000	502
10,000	103
20,000	203
50,000	503
100,000	104
200,000	204
500,000	504
1,000,000	105

Product Dimensions



TOLERANCES: ± $\frac{.010}{(0.25)}$ EXCEPT WHERE NOTED

DIMENSIONS ARE: $\frac{\text{METRIC}}{\text{(INCHES)}}$