

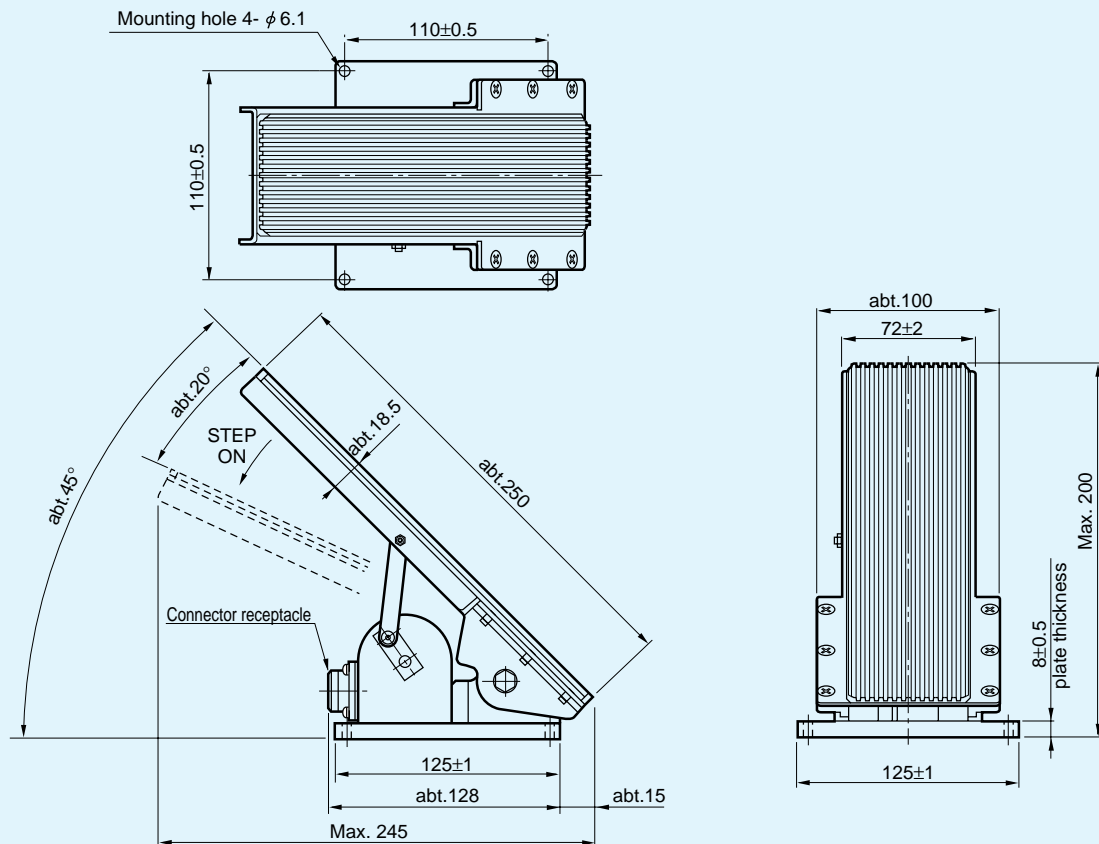
120FCB

Nomenclature

S **120** **FCB** - **1** **0** **A** - **0000**

- **S**
S means special mechanical specifications not applicable to our standard.
- **120**
120 means approx. size of base housing in mm.
- **FCB**
FC means Foot Controller, B means small and compact-sized pedal type.
- **0000**
Special branch number basing on customer's special requirements with 4 digits number.
- **0** ① **Number of switches to be mounted (Option).**
0--No switch mounted.
1--1 switch mounted.
- **A** ② **Rating of switch : A. B. C. ---Code-switch**
(For details, please refer to page 56)
- **1** **Number of potentiometers to be mounted (model SFCP22E)**
0--No potentiometer mounted.
1--1 potentiometer mounted.
2--2 potentiometers mounted (Option).

Standard Dimensions



(Unit : mm)



120FCB-10
(standard)

STANDARD SPECIFICATIONS

● Mechanical Performances

Operating method : Stepping pedal type

Operating angle : Approx. 20°

Operating force : With standard automatically spring return device

Abt. 10N~22N (Abt. 1,000gf.~2,200gf.)

Operating temperature range : -20°C ~ +65°C

Vibration : 10~55Hz 98m/s² (10G)

Shock : 294m/s² (30G)

Life expectancy : Approx. 2,000,000 operations

Mass : Approx. 1.5kg

● Electrical Performances

Potentiometer mounted :

SFCP22E, 10kΩ±20%, 0.4W, independent linearity tolerance±3% (conductive plastic resistive element)

Electrical rotating angle : Approx. 100°

Output smoothness : Below 0.2% against input voltage

Contact resistance variation : Below 5% C.R.V.

Resolution : Essentially infinite

Dielectric strength : 1 minute at 500VA. C.

Insulation resistance : Over 1,000MΩ at 500V D. C.

● Special Specifications Available

-With switch mounted :

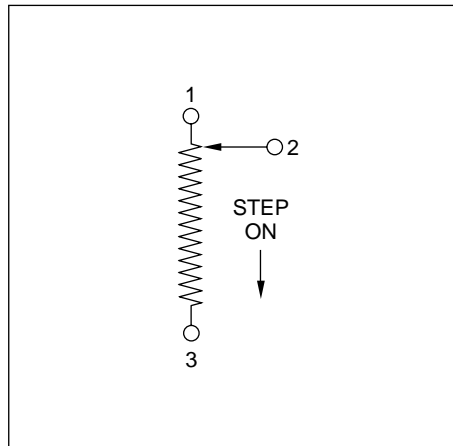
For rating of switch, please see page 56.

If you require the unit with one switch mounted, unless otherwise specified, we supply the unit with A version switch (code-switch with "ON" operation at about 3° from the beginning of stepping).

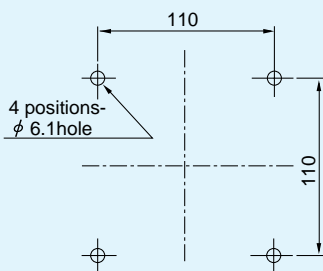
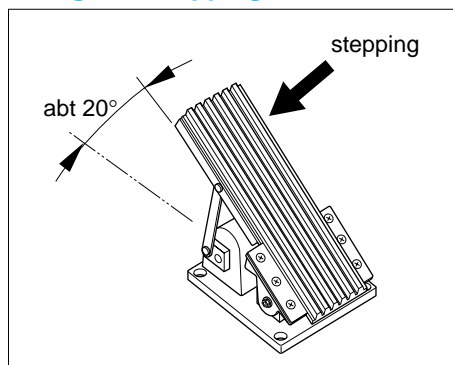
(Model S120FCB-11A)

- IP65 sealing
- 2 ganged potentiometer
- Special resistance value on potentiometer.
- An intermediate tap on potentiometer.

● Terminal Connection Diagram



● Angle of Stepping



(Unit : mm)