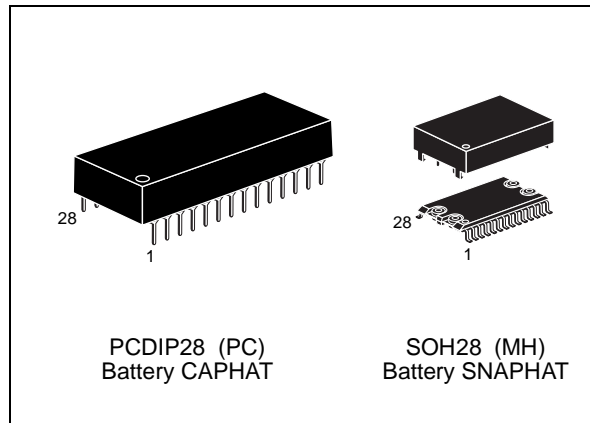


CMOS 8K x 8 ZEROPOWER SRAM

DATA BRIEFING

- INTEGRATED ULTRA LOW POWER SRAM, POWER-FAIL CONTROL CIRCUIT and BATTERY
- UNLIMITED WRITE CYCLES
- READ CYCLE TIME EQUALS WRITE CYCLE TIME
- AUTOMATIC POWER-FAIL CHIP DESELECT and WRITE PROTECTION
- CHOICE of TWO WRITE PROTECT VOLTAGES:
 - M48Z08: $4.5V \leq V_{PFD} \leq 4.75V$
 - M48Z18: $4.2V \leq V_{PFD} \leq 4.5V$
- SELF CONTAINED BATTERY in the CAPHAT DIP PACKAGE
- SMALL OUTLINE PACKAGE PROVIDES DIRECT CONNECTION for a SNAPHAT HOUSING CONTAINING the BATTERY
- SNAPHAT HOUSING (BATTERY) REPLACEABLE
- 11 YEARS of DATA RETENTION in the ABSENCE of POWER
- PIN and FUNCTION COMPATIBLE with the MK48Z08, 18 and JEDEC STANDARD 8K x 8 SRAMs

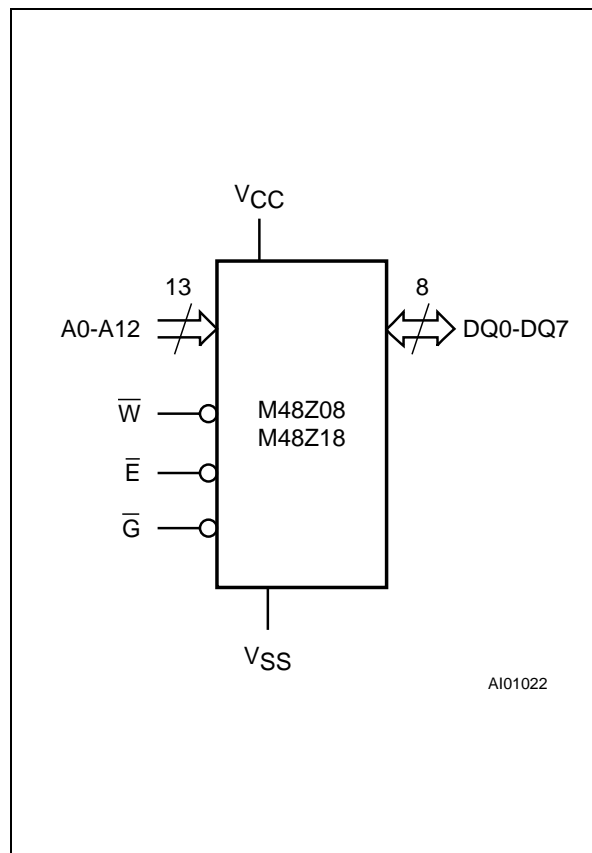


DESCRIPTION

The M48Z08,18 ZEROPOWER[®] RAM is an 8K x 8 non-volatile static RAM which is pin and function equivalent to any JEDEC standard 8K x 8 SRAM. It also easily fits into many ROM, EPROM, and EEPROM sockets, providing the non-volatility of PROMs without any requirement for special write timing or limitations on the number of writes that can be performed. The M48Z08,18 is compatible with the MK48Z08,18.

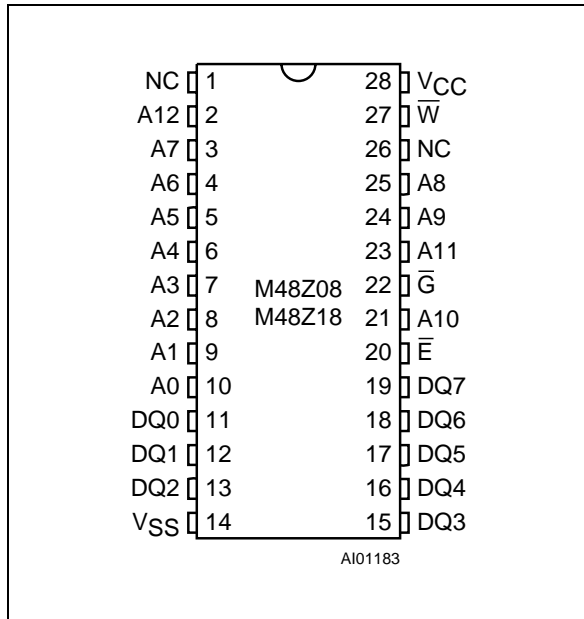
The monolithic chip is available in two special packages to provide a highly integrated battery backed-up memory solution.

Logic Diagram



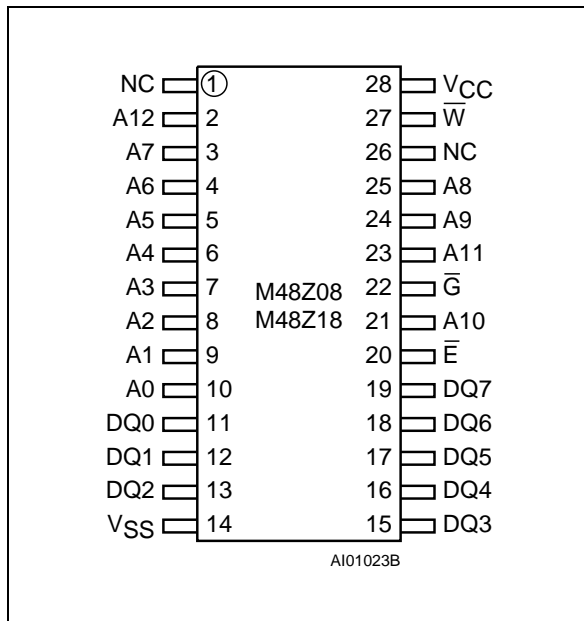
M48Z08, M48Z18

DIP Pin Connections



Warning: NC = No Connection

SO Pin Connections



Warning: NC = No Connection

Signal Names

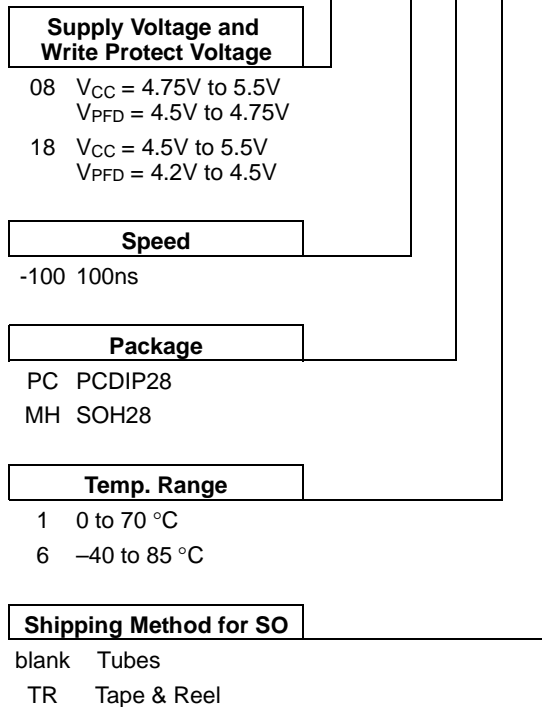
A0-A12	Address Inputs
DQ0-DQ7	Data Inputs / Outputs
\bar{E}	Chip Enable
\bar{G}	Output Enable
\bar{W}	Write Enable
V _{CC}	Supply Voltage
V _{SS}	Ground

Ordering Information Scheme

For a list of available options refer to the current Memory Shortform catalogue.

For further information on any aspect of this device, please contact the SGS-THOMSON Sales Office nearest to you.

Example: M48Z18 -100 MH 1 TR



Note: The SO and battery packages are shipped separately in plastic anti-static tubes. The SO package is also available to ship in Tape & Reel form. For the 28 lead SO, the battery package (i.e. SNAPHAT) part number is "M4Z28-BR00SH1".