

512K (64K x 8) UV EPROM and OTP EPROM

DATA BRIEFING

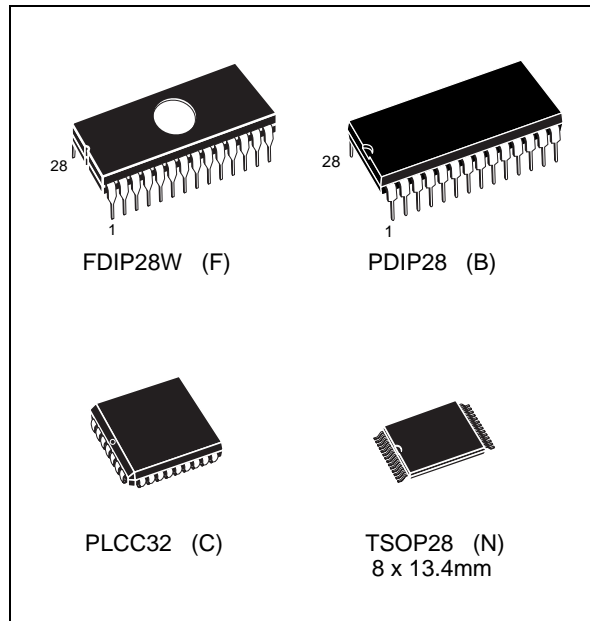
- FAST ACCESS TIME: 45ns
- LOW POWER "CMOS" CONSUMPTION:
 - Active Current 30mA
 - Standby Current 100µA
- PROGRAMMING VOLTAGE: 12.75V
- ELECTRONIC SIGNATURE for AUTOMATED PROGRAMMING
- PROGRAMMING TIMES of AROUND 6sec. (PRESTO IIB ALGORITHM)

DESCRIPTION

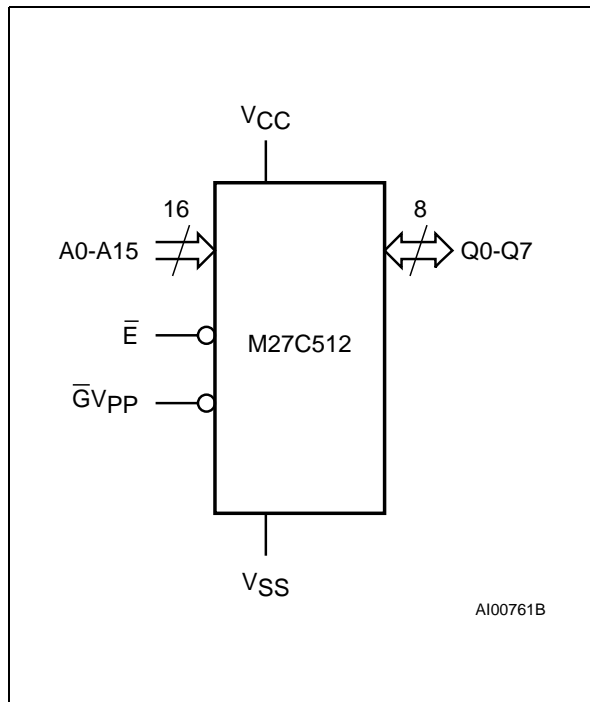
The M27C512 is a high speed 524,288 bit UV erasable and electrically programmable EPROM ideally suited for applications where fast turn-around and pattern experimentation are important requirements. Its is organized as 65,536 by 8 bits.

The Window Ceramic Frit-Seal Dual-in-Line package has transparent lid which allows the user to expose the chip to ultraviolet light to erase the bit pattern. A new pattern can then be written to the device by following the programming procedure.

For applications where the content is programmed only one time and erasure is not required, the M27C512 is offered in Plastic Dual-in-Line, Plastic Thin Small Outline and Plastic Leaded Chip Carrier packages.



Logic Diagram

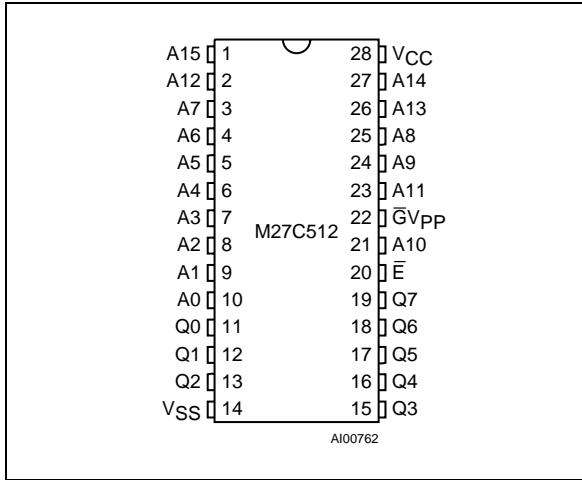


Signal Names

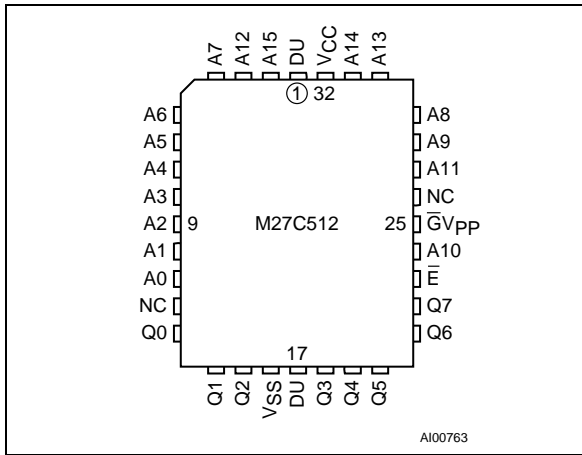
A0 - A15	Address Inputs
Q0 - Q7	Data Outputs
\bar{E}	Chip Enable
$\bar{G}V_{PP}$	Output Enable / Program Supply
V _{CC}	Supply Voltage
V _{SS}	Ground

M27C512

DIP Pin Connections

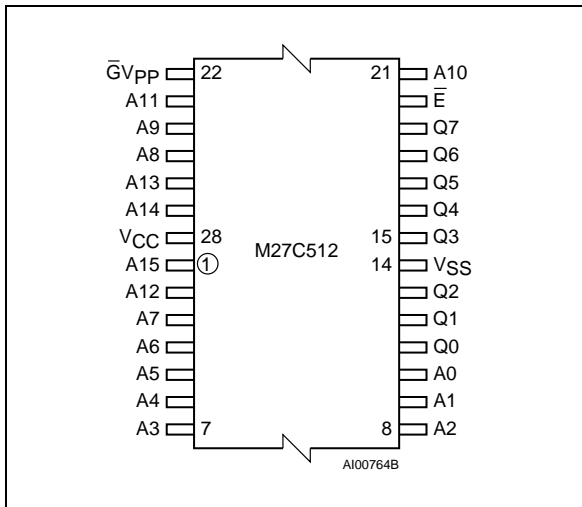


LCC Pin Connections



Warning: NC = Not Connected, DU = Don't Use

TSOP Pin Connections



Ordering Information Scheme

For a list of available options refer to the current Memory Shortform catalogue.

For further information on any aspect of this device, please contact the SGS-THOMSON Sales Office nearest to you.

Example: M27C512 -70 X C 1 X

Speed	-70	X	C	1	X
-45	45ns				
-60	60ns				
-70	70ns				
-80	80ns				
-90	90ns				
-10	100ns				
-12	120ns				
-15	150ns				
-20	200ns				
-25	250ns				
V_{CC} Tolerance					
X	± 5V				
blank	± 10V				
Package					
F	FDIP32W				
B	PDIP28				
C	PLCC32				
N	TSOP28 8 x 13.4mm				
Temp. Range					
1	0 to 70 °C				
3	-40 to 125 °C				
6	-40 to 85 °C				
Option					
X	Additional Burn-in				
TR	Tape & Reel Packing				