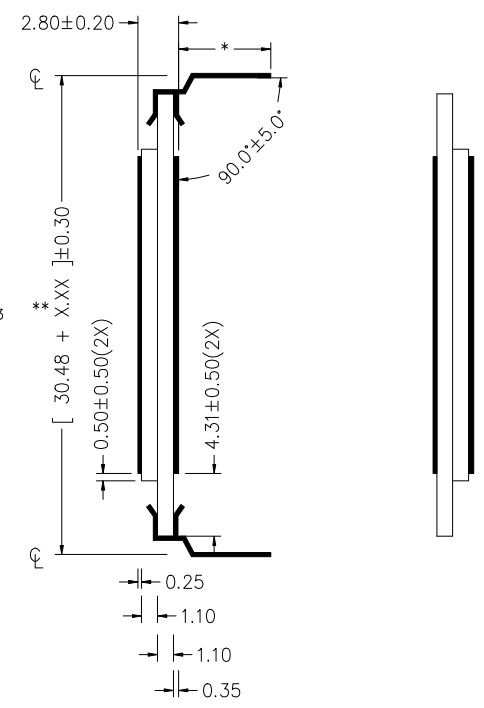
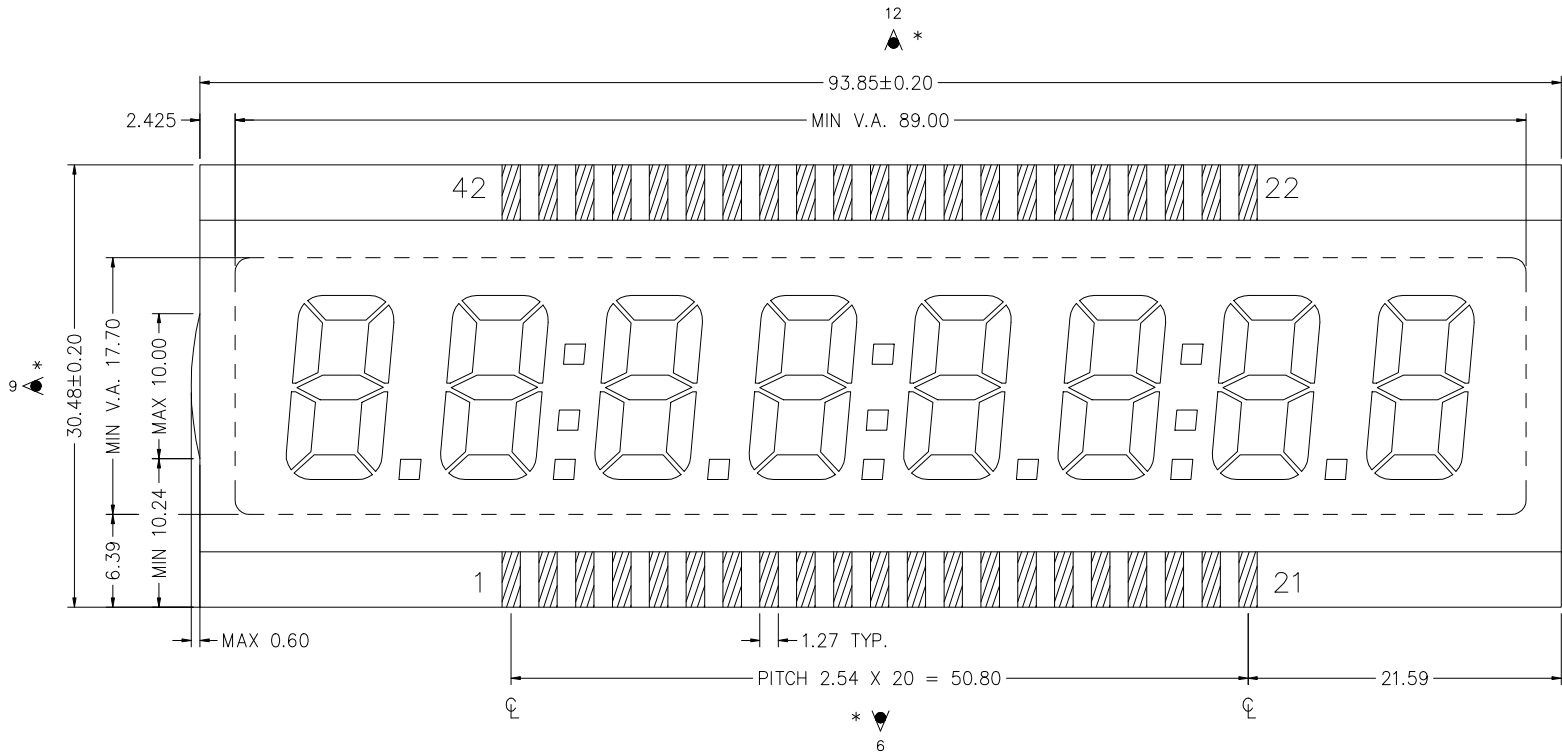


VIM-808-DP, VIM-808-2



DRIVER : Intersil ICM7231

-DP

-2

Pin Information -- VIM-808

DIGIT HEIGHT 12.7mm (0.5")

Pin No.	Segment	Pin No.	Segment	Pin No.	Segment
1	8B, 8C, 7DP	15	3B, 3C, 2DP	29	3F, 3E, NC
2	NC	16	NC	30	4A, 4G, 4D
3	7B, 7C, 6DP	17	NC	31	4F, 4E, NC
4	NC	18	2B, 2C, 1DP	32	NC, NC, 4L
5	NC	19	NC	33	5A, 5G, 5D
6	6B, 6C, 5DP	20	1B, 1C, NC	34	5F, 5E, NC
7	NC	21	, , COM 3	35	6A, 6G, 6D
8	NC	22	COM 1 , ,	36	6F, 6E, NC
9	5B, 5C, 4DP	23	1A, 1G, 1D	37	NC, NC, 6L
10	NC	24	1F, 1E, NC	38	7A, 7G, 7D
11	NC	25	2A, 2G, 2D	39	7F, 7E, NC
12	4B, 4C, 3DP	26	2F, 2E, NC	40	8A, 8G, 8D
13	NC	27	NC, NC, 2L	41	8F, 8E, NC
14	NC	28	3A, 3G, 3D	42	, COM 2 ,