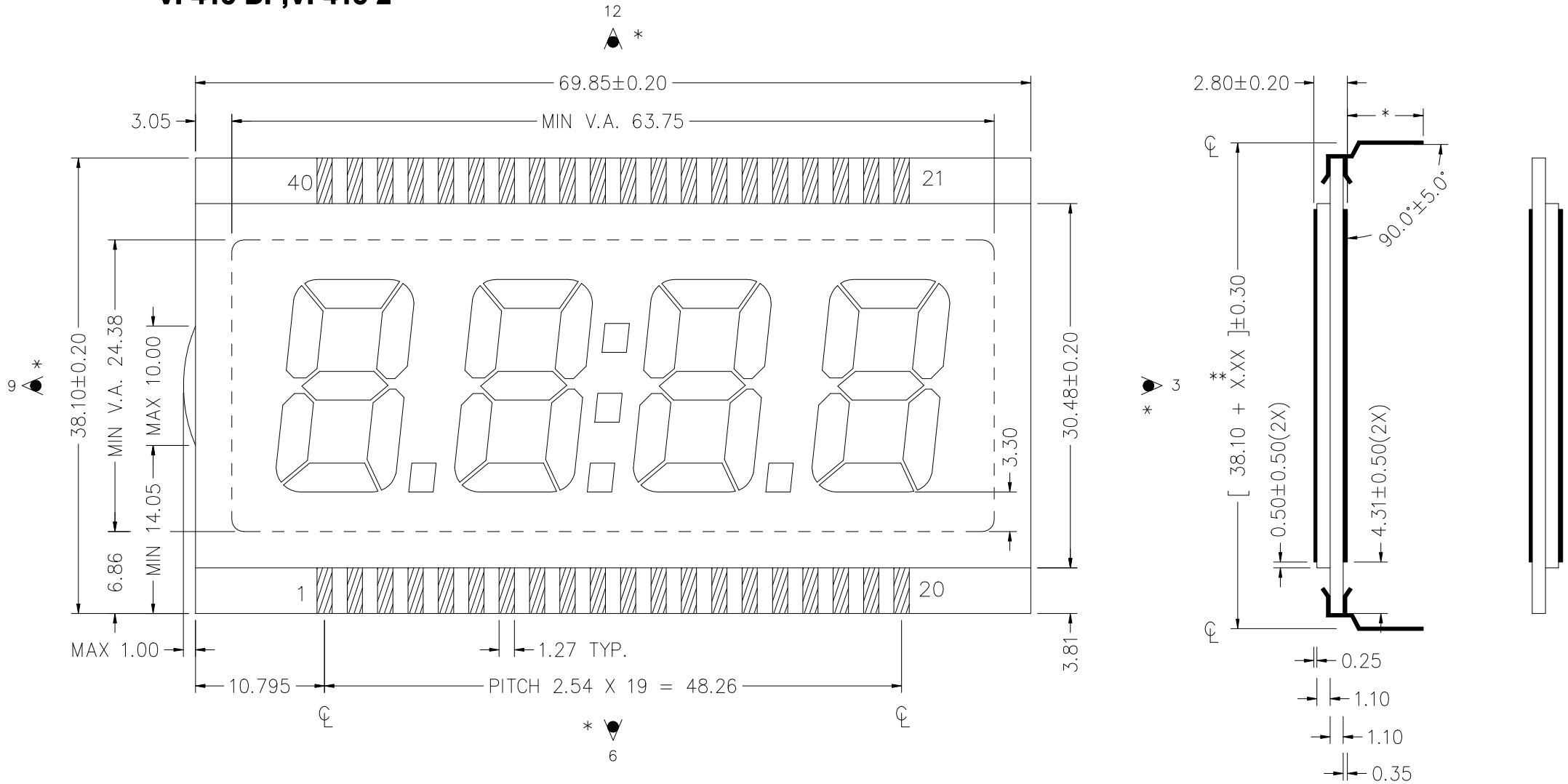


# VI-415-DP, VI-415-2



DRIVER : OKI MSM58292, HD61603

# Pin Information -- VI-415

DIGIT HEIGHT 17.8mm (0.7")

Pin No.	Segment	Pin No.	Segment	Pin No.	Segment	Pin No.	Segment
1	COM	11	3C	21	1A	31	3F
2	NC	12	3DP	22	1F	32	3G
3	NC	13	2E	23	1G	33	NC
4	NC	14	2D	24	2B	34	4B
5	4E	15	2C	25	2A	35	4A
6	4D	16	2DP	26	2F	36	4F
7	4C	17	1E	27	2G	37	4G
8	4DP	18	1D	28	L	38	NC
9	3E	19	1C	29	3B	39	NC
10	3D	20	1B	30	3A	40	NC